

FYL- 10023XXX1B

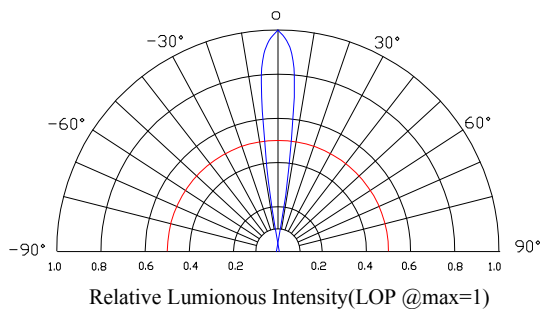
Features:

- General purpose leads
- RoHs compliant.

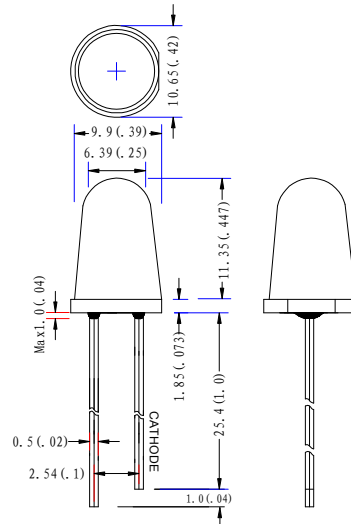
Descriptions:

- Dice material: GaP/GaAsP/InGaN/AlGaInP.
- Device Outline: Φ 10mm Bullet head Type.

Radiation pattern.



Package configuration



- ◆ All dimensions are millimeters (inches)
- ◆ Tolerance is $\pm 0.25\text{mm}(.010")$ unless otherwise noted.

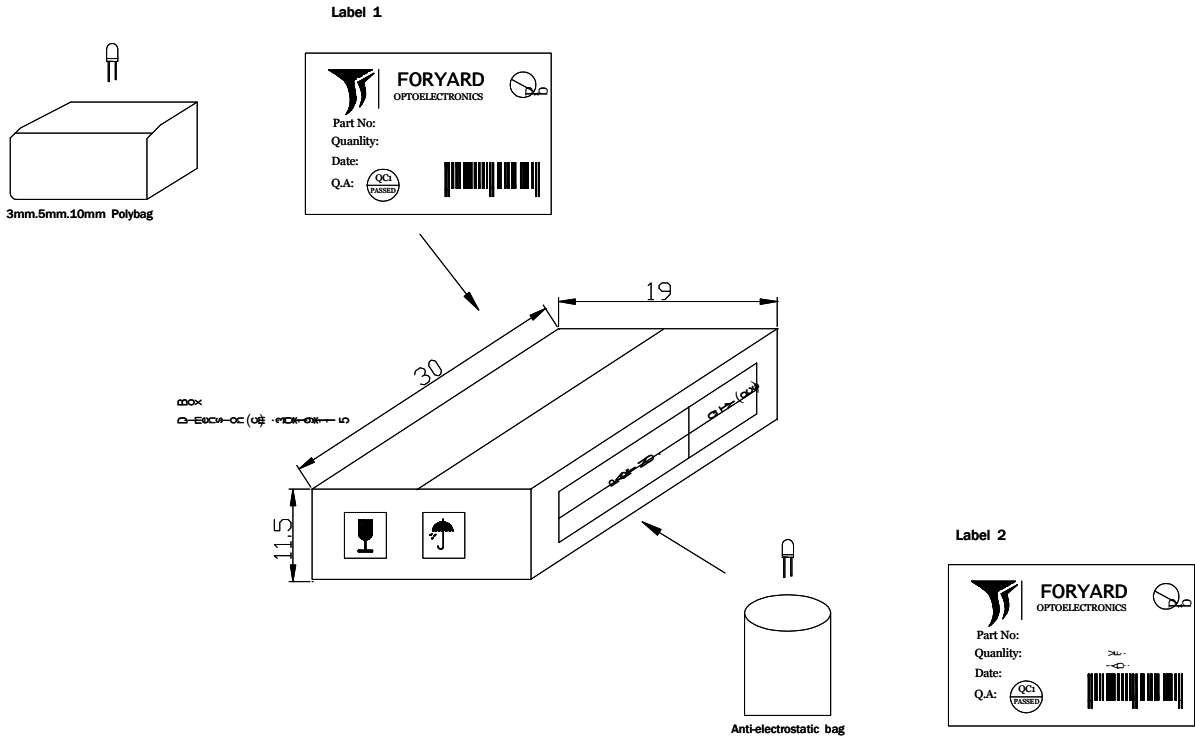
Absolute maximum ratings($T_a=25^\circ\text{C}$)

Parameter	MAX.	Unit
Continuous Forward Current	20	mA
Derating Linear From 50°C	0.4	mA/ $^\circ\text{C}$
Reverse Voltage	5	V
Operating Temperature Range	-30°C to $+80^\circ\text{C}$	
Storage Temperature Range	-40°C to $+100^\circ\text{C}$	
Lead Soldering Temperature[4mm(.157") From Body]	260 $^\circ\text{C}$ for 5 Seconds	

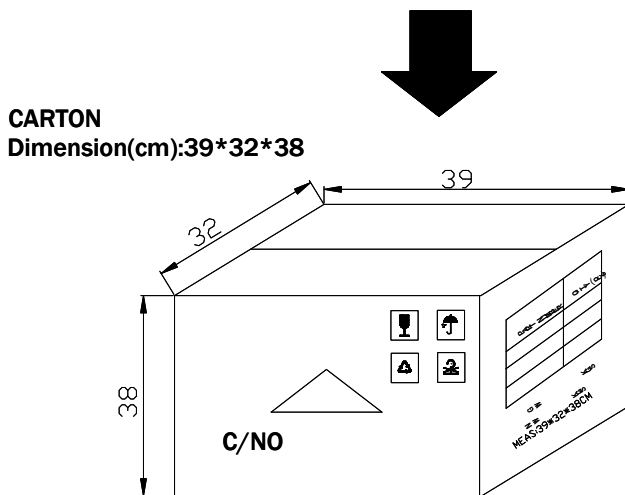
Optical Characteristics at TA = 25° C,IF=20mA.

Part Number	Lens Color	Wave length (nm)	Intensity (mcd)	Angle2 θ 1/2
FYL-10023HC1B	Water clear	700	35	15
FYL-10023SRC1B	Water clear	660	180	15
FYL-10023EC1B	Water clear	625	80	15
FYL-10023YC1B	Water clear	588	80	15
FYL-10023GC1B	Water clear	568	70	15
FYL-10023LRC1B	Water clear	660	800	15
FYL-10023SURC1B	Water clear	630	3000	15
FYL-10023SUEC1B	Water clear	625	3200	15
FYL-10023SUYC1B	Water clear	588	3000	15
FYL-10023MUGC1B	Water clear	568	2000	15
FYL-10023PGC1B	Water clear	520	13000	15
FYL-10023BGC1B	Water clear	505	12000	15
FYL-10023UBC1B	Water clear	470	8000	15
FYL-10024UWC1B	Water clear	X:0.29 Y:0.30 CCT:9500K	30000	15

LAMP PACKING.



DEVICE	QTY/polybag(pcs)	Polybag/box A	Fig
5mm(T-1 3/4)	1000	8 bags	Label 1
3mm(T-1)	1000	10 bags	Label 1
10mm(T-1)	250	8 bags	Label 1
Blue/Green/White	500pcs	8 bags	Label 2



6 Boxes/Carton
 5mm:48,000pcs
 3mm:60,000pcs
 10mm:12,000pcs
 Blue/Pure Green/bluish Green
 /White:24,000pcs