

## PRODUCT SPECIFICATION

**Model No.: FYL-25A9EGW1B-CC**

| Descriptions:                        |
|--------------------------------------|
| ■Dice material: GaP/ GaP             |
| ■Emitting Color: Orange/Yellow green |
| ■Device Outline: 2*5mm square type.  |
| ■Lens Type: White diffused.          |



| CUSTOMER APPROVED SIGNATURES | APPROVED BY | CHECKED BY | PREPARED BY |
|------------------------------|-------------|------------|-------------|
|                              |             |            |             |

**NINGBO FORYARD OPTOELECTRONICS CO.,LTD.**

**Add:**NO.115 Qixin Road Ningbo Zhejiang China

**Zip:**315051

**Tel:** 0086-574-87933652 87927870 87922206

**Fax:** 0086-574-87927917

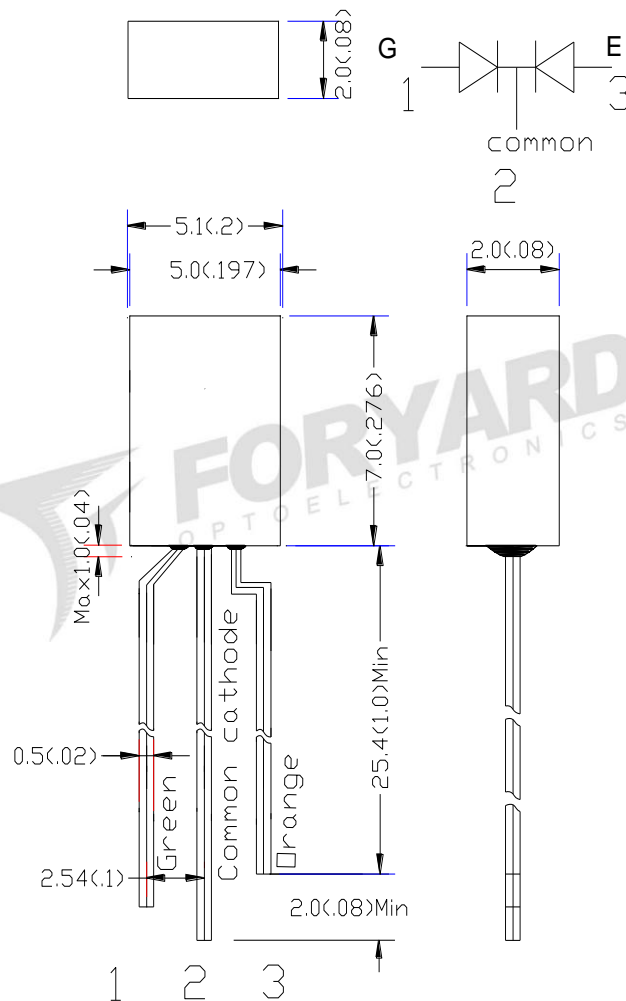
**E-mail:** Sales@foryard.com (General)

[Http://www.foryard.com](http://www.foryard.com)

## ■ Features

1. Low power consumption.
2. High efficiency.
3. General purpose leads.
4. RoHs compliant.

## ■ Package configuration



### Notes:

1. All dimensions are millimeters (inches)
2. Tolerance is  $\pm 0.25\text{mm} (.010\text{")}$  unless otherwise noted.
3. The specifications, characteristics and technical data described in the datasheet are subject to change without prior notice.

■ Absolute maximum ratings(Ta=25 ° c)

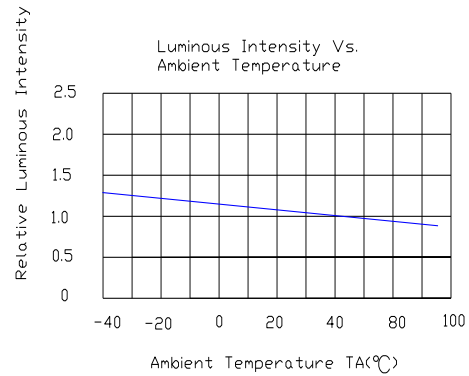
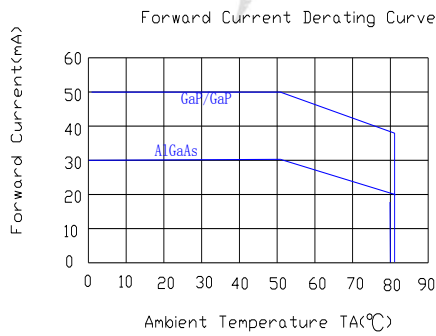
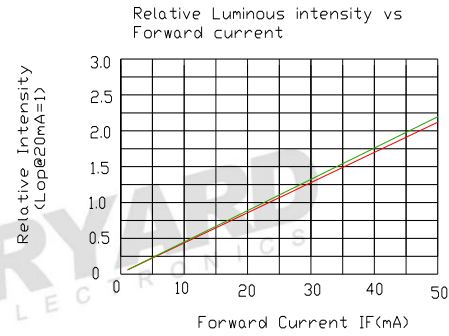
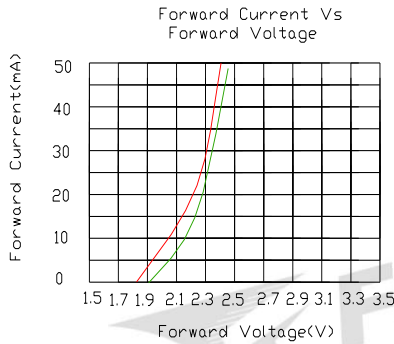
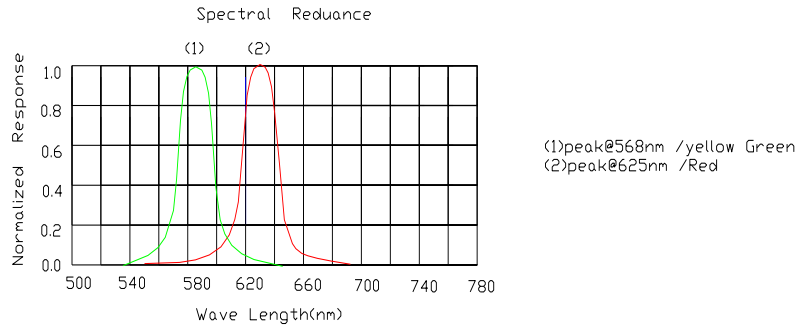
| Parameter   | MAX.                | Unit  |
|---|---------------------|-------|
| Power Dissipation   | E 75                | mW    |
|   | G 75                |       |
| Peak Forward Current (1/10 Duty Cycle, 0.1ms Pulse Width) | 100                 | mA    |
| Continuous Forward Current                                | 30                  | mA    |
| Derating Linear From 50°C                                 | 0.4                 | mA/°C |
| Reverse Voltage   | 5                   | V     |
| Operating Temperature Range                               | -40°C to +85°C      |       |
| Storage Temperature Range                                 | -40°C to +100°C     |       |
| Lead Soldering Temperature[4mm(.157") From Body]          | 260°C for 5 Seconds |       |

■ Electrical and optical characteristics(Ta=25 ° c)

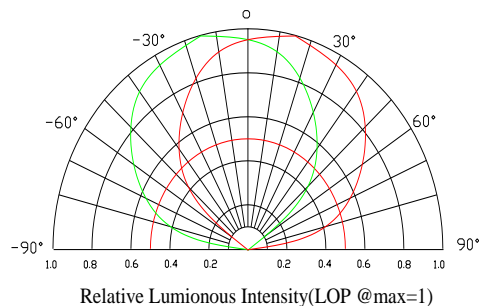
| Parameter                | Symbol            | Min.  | Typ. | Max. | Unit | Test Condition       |
|--------------------------|-------------------|-------|------|------|------|----------------------|
| Luminous Intensity       | I <sub>v</sub>    | E -   | 45   | -    | mcd  | I <sub>F</sub> =20mA |
|                          |                   | G     | 35   |      |      |                      |
| Viewing Angle            | 2θ <sub>1/2</sub> | E -   | 100  | -    | Deg  |                      |
|                          |                   | G     | 110  |      |      |                      |
| Peak Emission Wavelength | λ <sub>p</sub>    | E -   | 625  | -    | nm   |                      |
|                          |                   | G -   | 568  | -    |      |                      |
| Dominant Wavelength      | λ <sub>d</sub>    | E 618 | 621  | 627  | nm   |                      |
|                          |                   | G 567 | 572  | 577  |      |                      |
| Spectral Line Half-Width | Δλ                | E 10  | 15   | 20   | nm   |                      |
|                          |                   | G 15  | 20   | 25   |      |                      |
| Forward Voltage          | V <sub>F</sub>    | E 1.7 | 2.0  | 2.4  | V    |                      |
|                          |                   | G 1.8 | 2.3  | 2.6  |      |                      |
| Reverse Current          | I <sub>R</sub>    |       |      | 10   | μA   | V <sub>R</sub> =5V   |

## ■ Typical Electrical Characteristics Curves

(25 ° c Ambient Temperature Unless Otherwise Noted)

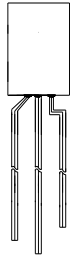


## Radiation pattern.

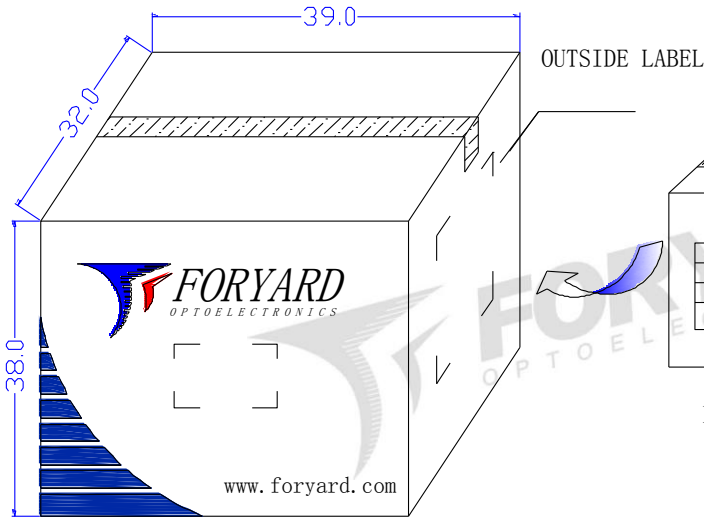
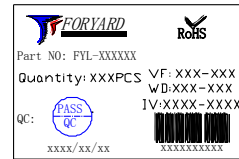
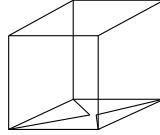
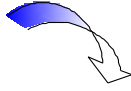


|            |                  |
|------------|------------------|
| Model. No. | FYL-25A9EGW1B-CC |
| Rev.       | A                |

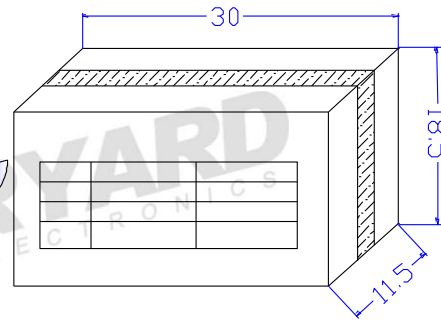
■ LAMP PACKING.



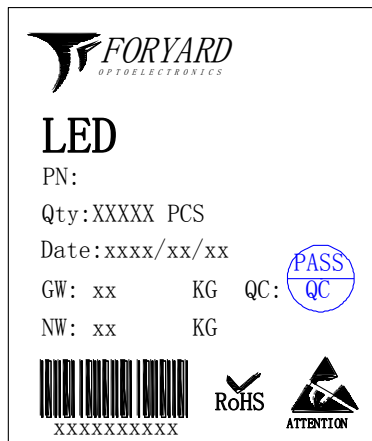
2\*5mm 1000PCS/Polybag



60000PCS/ Carton



10000PCS/ Box



OUTSIDE LABEL