

FYL- 3014XXX1H

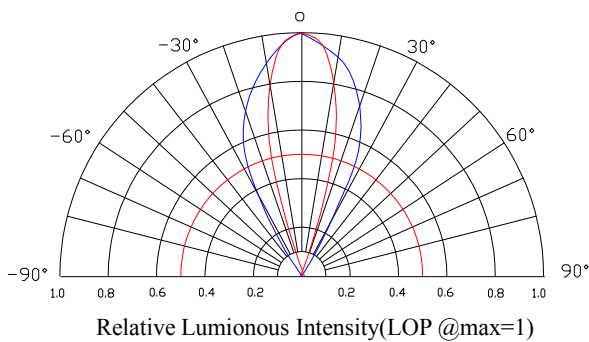
Features:

- General purpose leads
- RoHs compliant.

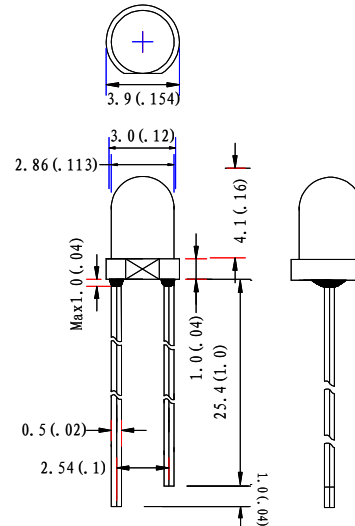
Descriptions:

- Dice material: GaP/GaAsP/InGaN/AlGaInP.
- Device Outline: $\Phi 3\text{mm}$ Round Type.

Radiation pattern.



Package configuration



- ◆ All dimensions are millimeters (inches)
- ◆ Tolerance is $\pm 0.25\text{mm}$ (.010") unless otherwise noted.

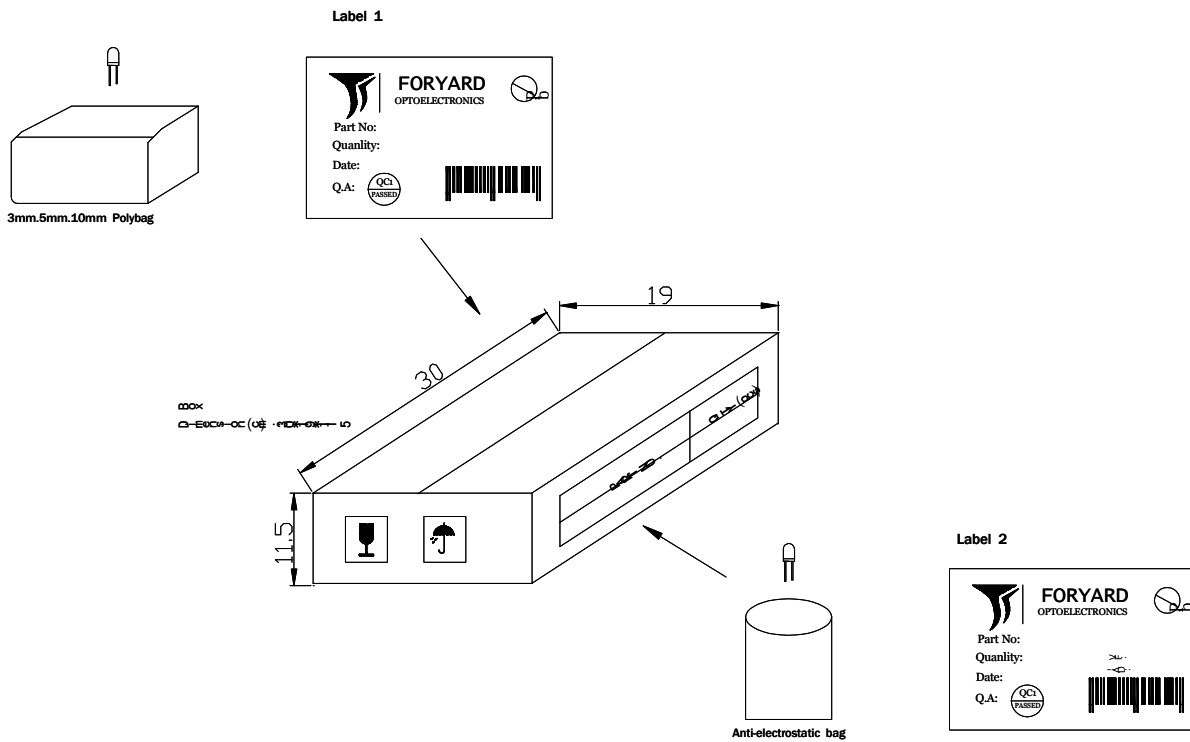
Absolute maximum ratings($T_a=25^\circ\text{C}$)

Parameter	MAX.	Unit
Continuous Forward Current	20	mA
Derating Linear From 50°C	0.4	mA/ $^\circ\text{C}$
Reverse Voltage	5	V
Operating Temperature Range	-30°C to $+80^\circ\text{C}$	
Storage Temperature Range	-40°C to $+100^\circ\text{C}$	
Lead Soldering Temperature[4mm(.157") From Body]	260 $^\circ\text{C}$ for 5 Seconds	

Optical Characteristics at TA = 25° C

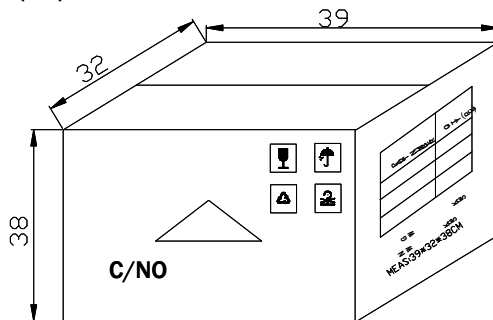
Part Number	Lens Color	Wavelength (nm)	Intensity (mcd)	Angle 2 θ 1/2
FYL-3014HD1H	Red Diffused	700	20	45
FYL-3014SRD1H	Red Diffused	660	80	45
FYL-3014ED1H	Red Diffused	625	50	45
FYL-3014AD1H	Amber Diffused	610	45	45
FYL-3014YD1H	Yellow Diffused	588	50	45
FYL-3014GD1H	Green Diffused	568	40	45
FYL-3014LRD1H	Red Diffused	660	300	45
FYL-3014SURC1H	Water Clear	630	2000	30
FYL-3014NURC1H	Water Clear	630	2500	30
FYL-3014SUEC1H	Water Clear	625	2000	30
FYL-3014SUAC1H	Water Clear	610	1800	30
FYL-3014LUYC1H	Water Clear	588	3500	30
FYL-3014SUGC1H	Water Clear	568	1600	30
FYL-3014PGC1H	Water Clear	520	7000	30
FYL-3014BGC1H	Water Clear	505	7000	30
FYL-3014UBC1H	Water Clear	470	2200	30
FYL-3014UWC1H	Water Clear	X:0.29 Y:0.30 / 9500k	6000	30

LAMP PACKING.



DEVICE	QTY/polybag(pcs)	Polybag/box A	Fig
5mm(T-1 3/4)	1000	8 bags	Label 1
3mm(T-1)	1000	10 bags	Label 1
10mm(T-1)	250	8 bags	Label 1
Blue/Green/White	500pcs	8 bags	Label 2

CARTON
Dimension(cm):39*32*38



6 Boxes/Carton
5mm:48,000pcs
3mm:60,000pcs
10mm:12,000pcs
Blue/Pure Green/bluish Green
/White:24,000pcs