

FYL-3014XXX1Z

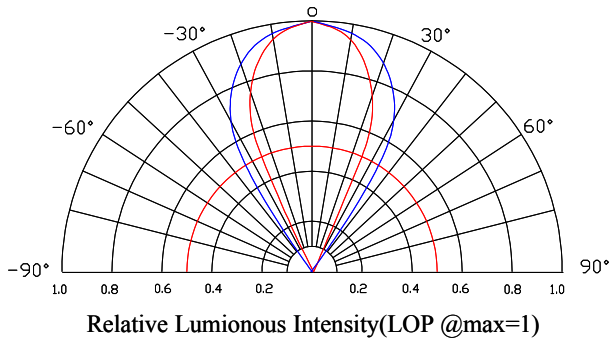
Features:

- General purpose leads
- RoHs compliant.

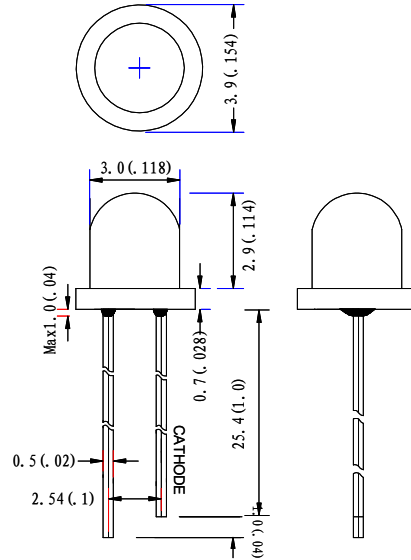
Descriptions:

- Dice material: GaP/GaAsP/InGaN/AlGaInP.
- Device Outline: $\Phi 3\text{mm}$ Round Type.

Radiation pattern.



Package configuration



- ◆ All dimensions are millimeters (inches)
- ◆ Tolerance is $\pm 0.25\text{mm}$ (.010") unless otherwise noted.

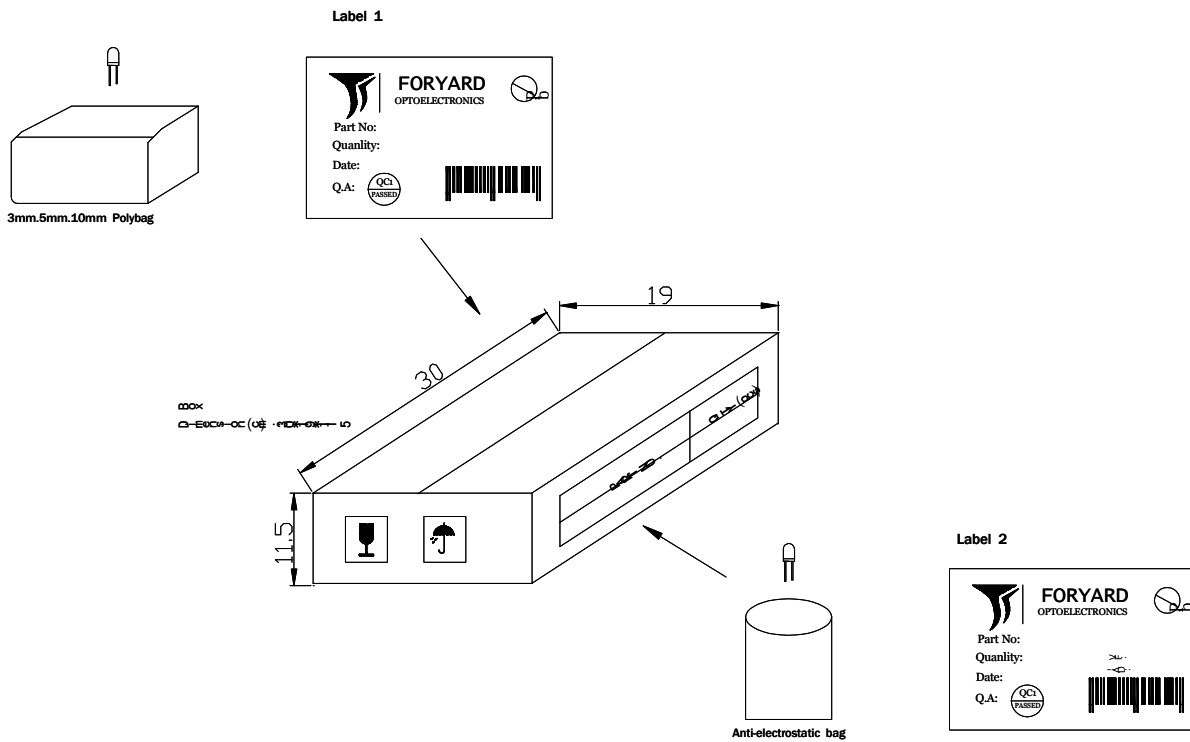
Absolute maximum ratings($T_a=25^\circ\text{C}$)

| Parameter | MAX. | Unit |
|--|---|----------------------|
| Continuous Forward Current | 20 | mA |
| Derating Linear From 50°C | 0.4 | mA/ $^\circ\text{C}$ |
| Reverse Voltage | 5 | V |
| Operating Temperature Range | -30°C to $+80^\circ\text{C}$ | |
| Storage Temperature Range | -40°C to $+100^\circ\text{C}$ | |
| Lead Soldering Temperature[4mm(.157") From Body] | 260°C for 5 Seconds | |

Optical Characteristics at TA = 25° C

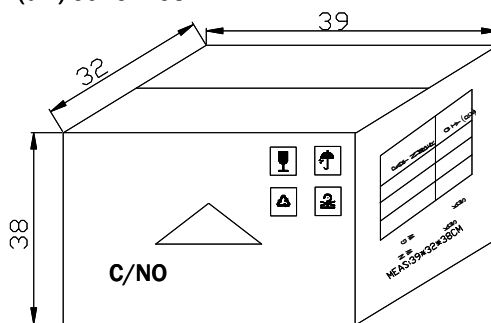
| Part Number | Lens Color | Wave length (nm) | Intensity (mcd) | Angle 2θ 1/2 |
|----------------|-------------|--------------------------|-----------------|------------------------|
| FYL-3014LRC1Z | Water Clear | 660 | 350 | 65 |
| FYL-3014SURC1Z | Water Clear | 630 | 500 | 65 |
| FYL-3014NURC1Z | Water Clear | 630 | 750 | 65 |
| FYL-3014LURC1Z | Water Clear | 630 | 1000 | 65 |
| FYL-3014SUEC1Z | Water Clear | 625 | 500 | 65 |
| FYL-3014SUAC1Z | Water Clear | 610 | 600 | 65 |
| FYL-3014SUYC1Z | Water Clear | 588 | 450 | 65 |
| FYL-3014MUGC1Z | Water Clear | 568 | 480 | 65 |
| FYL-3014PGC1Z | Water Clear | 520 | 4500 | 45 |
| FYL-3014BGC1Z | Water Clear | 505 | 4500 | 45 |
| FYL-3014UBC1Z | Water Clear | 470 | 1200 | 45 |
| FYL-3014VC1Z | Water Clear | 410 | 90(mW) | 45 |
| FYL-314UWC1Z | Water Clear | X:0.29 Y:0.30 / 9500k | 2800 | 65 |

LAMP PACKING.



| DEVICE | QTY/polybag(pcs) | Polybag/box A | Fig |
|------------------|------------------|---------------|---------|
| 5mm(T-1 3/4) | 1000 | 8 bags | Label 1 |
| 3mm(T-1) | 1000 | 10 bags | Label 1 |
| 10mm(T-1) | 250 | 8 bags | Label 1 |
| Blue/Green/White | 500pcs | 8 bags | Label 2 |

CARTON
Dimension(cm):39*32*38



6 Boxes/Carton
 5mm:48,000pcs
 3mm:60,000pcs
 10mm:12,000pcs
 Blue/Pure Green/bluish Green
 /White:24,000pcs