

FYL- 3044XXX1P

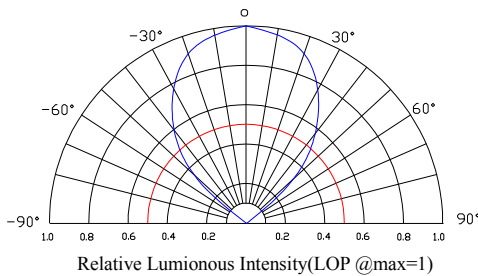
Features:

- General purpose leads
- RoHs compliant.

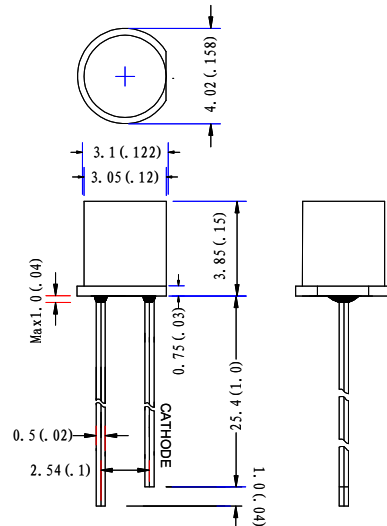
Descriptions:

- Dice material: GaP/GaAsP/InGaN/AlGaInP.
- Device Outline: $\Phi 3\text{mm}$ cylinder Type.

Radiation pattern.



Package configuration



- ◆ All dimensions are millimeters (inches)
- ◆ Tolerance is $\pm 0.25\text{mm}$ (.010") unless otherwise noted.

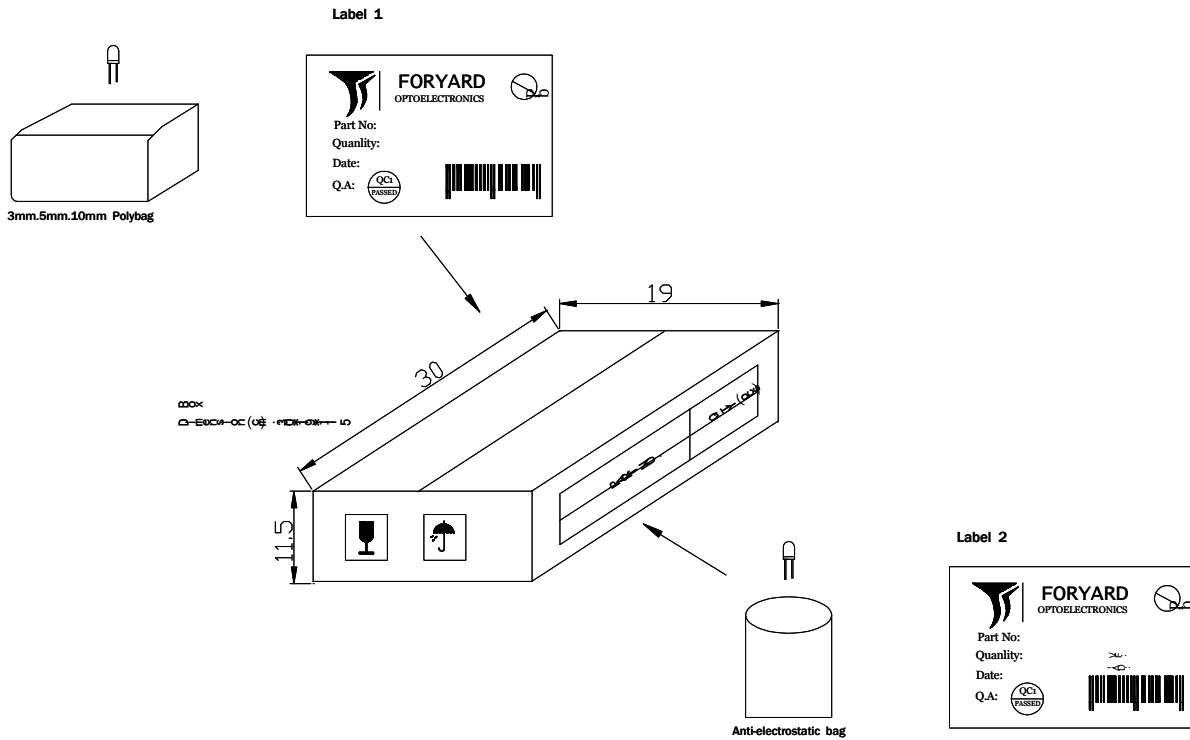
Absolute maximum ratings($T_a=25^\circ\text{C}$)

Parameter	MAX.	Unit
Continuous Forward Current	20	mA
Derating Linear From 50°C	0.4	mA/ $^\circ\text{C}$
Reverse Voltage	5	V
Operating Temperature Range	-30°C to $+80^\circ\text{C}$	
Storage Temperature Range	-40°C to $+100^\circ\text{C}$	
Lead Soldering Temperature[4mm(.157") From Body]	260 $^\circ\text{C}$ for 5 Seconds	

Optical Characteristics at TA = 25° C

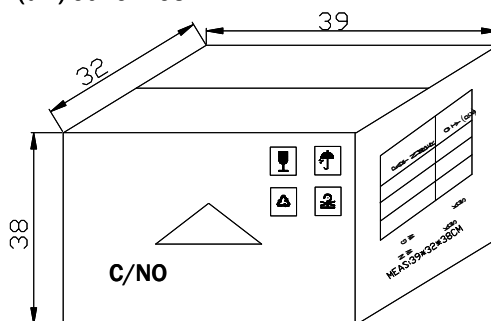
Part Number	Lens Color	Wavelength (nm)	Intensity (mcd)	Angle 2 θ 1/2
FYL-3044HC1P	Water Clear	700	40	80
FYL-3044SRC1P	Water Clear	660	50	80
FYL-3044ET1P	Red Transparent	625	65	80
FYL-3044AD1P	Amber Diffused	610	35	100
FYL-3044YD1P	Yellow Diffused	588	40	100
FYL-3044GD1P	Green Diffused	568	35	100
FYL-3044LRC1P	Water Clear	660	230	80
FYL-3044SURC1P	Water Clear	630	550	80
FYL-3044NURC1P	Water Clear	630	650	80
FYL-3044SUEC1P	Water Clear	625	550	80
FYL-3044SUAC1P	Water Clear	610	400	80
FYL-3044SUYC1P	Water Clear	588	420	80
FYL-3044SUGC1P	Water Clear	568	320	80
FYL-3044MUGC1P	Water Clear	568	420	80
FYL-3044PGC1P	Water Clear	520	2000	75
FYL-3044BGC1P	Water Clear	505	1800	75
FYL-3044UBC1P	Water Clear	470	850	75
FYL-3044VC1P	Water Clear	410	90(mW)	75
FYL-3044UWC1P	Water Clear	X:0.29 Y:0.30 / 9500k	1000	90

LAMP PACKING.



DEVICE	QTY/polybag(pcs)	Polybag/box A	Fig
5mm(T-1 3/4)	1000	8 bags	Label 1
3mm(T-1)	1000	10 bags	Label 1
10mm(T-1)	250	8 bags	Label 1
Blue/Green/White	500pcs	8 bags	Label 2

CARTON
Dimension(cm):39*32*38



6 Boxes/Carton
 5mm:48,000pcs
 3mm:60,000pcs
 10mm:12,000pcs
 Blue/Pure Green/bluish Green
 /White:24,000pcs