

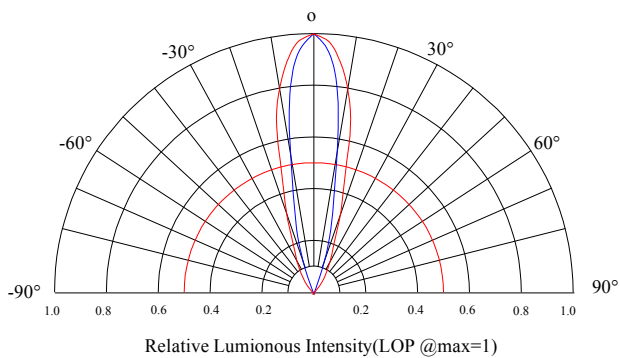
FYL- 4014XXX1B

Features:

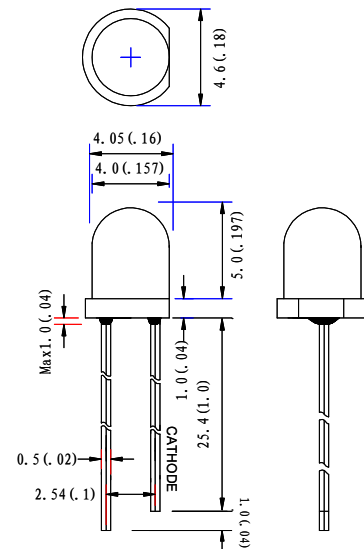
- General purpose leads
- RoHs compliant.

Descriptions:

- Dice material: GaP/GaAsP/InGaN/AlGaInP.
- Device Outline: Standard 4mm diameter package.
- Radiation pattern.



Package configuration



- ◆ All dimensions are millimeters (inches)
- ◆ Tolerance is $\pm 0.25\text{mm}(.010\text{'})$ unless otherwise noted.

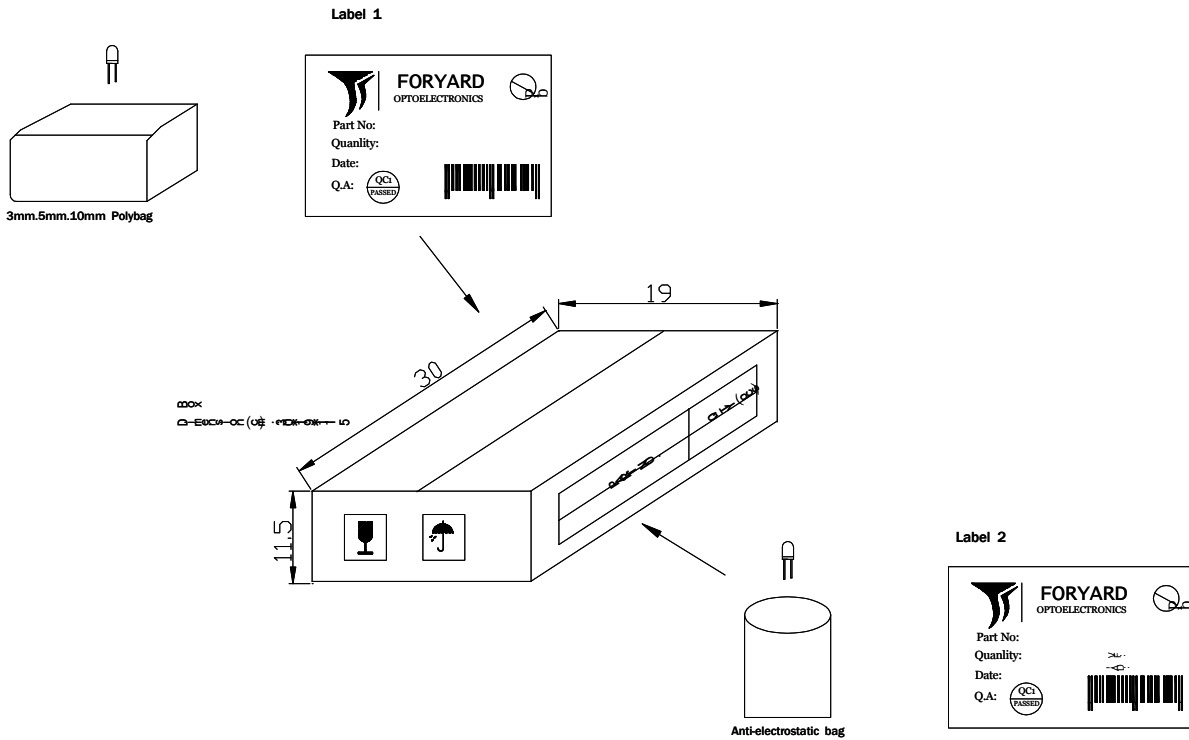
Absolute maximum ratings($T_a=25\text{ }^\circ\text{C}$)

Parameter	MAX.	Unit
Continuous Forward Current	20	mA
Derating Linear From $50\text{ }^\circ\text{C}$	0.4	mA/ $^\circ\text{C}$
Reverse Voltage	5	V
Operating Temperature Range	$-30\text{ }^\circ\text{C}$ to $+80\text{ }^\circ\text{C}$	
Storage Temperature Range	$-40\text{ }^\circ\text{C}$ to $+100\text{ }^\circ\text{C}$	
Lead Soldering Temperature[4mm(.157") From Body]	$260\text{ }^\circ\text{C}$ for 5 Seconds	

Optical Characteristics at TA = 25° C

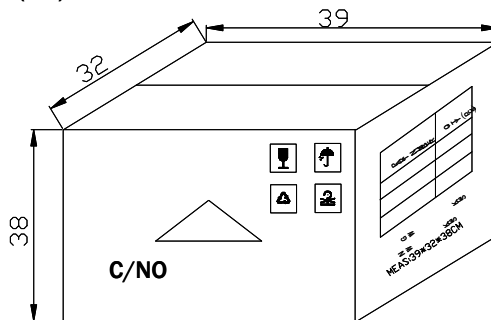
Part Number	Lens Color	Wavelength (nm)	Intensity (mcd)	Angle 2 θ 1/2
FYL-4014SURC1B	Water Clear	630	1100	35
FYL-4014NURC1B	Water Clear	630	1500	35
FYL-4014SUEC1B	Water Clear	625	1100	35
FYL-4014SUAC1B	Water Clear	610	1100	35
FYL-4014UYC1B	Water Clear	588	1200	35
FYL-4014SUGC1B	Water Clear	568	800	35
FYL-4014PGC1B	Water Clear	520	15000	20
FYL-4014BGC1B	Water Clear	505	13000	20
FYL-4014UBC1B	Water Clear	470	4000	20
FYL-4014VC1B	Water Clear	410	180	20
FYL-4014UWC1B-UWW	Water Clear	X:0.40 Y:0.39 / 3500k	10000	25
FYL-4014UWC1B	Water Clear	X:0.29 Y:0.30 / 9500k	10000	25

LAMP PACKING.



DEVICE	QTY/polybag(pcs)	Polybag/box A	Fig
5mm(T-1 3/4)	1000	8 bags	Label 1
3mm(T-1)	1000	10 bags	Label 1
10mm(T-1)	250	8 bags	Label 1
Blue/Green/White	500pcs	8 bags	Label 2

CARTON
Dimension(cm):39*32*38



6 Boxes/Carton
 5mm:48,000pcs
 3mm:60,000pcs
 10mm:12,000pcs
 Blue/Pure Green/bluish Green
 /White:24,000pcs



LED LAMP