

FYL- 4064XXX1A

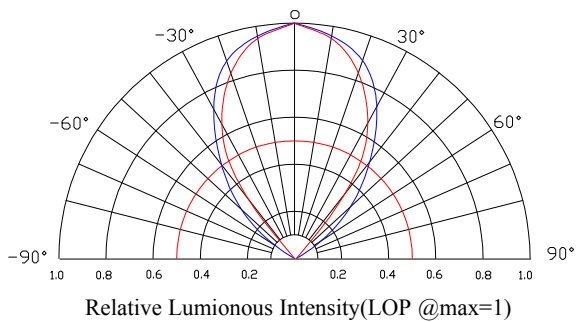
Features:

- General purpose leads
- RoHs compliant.

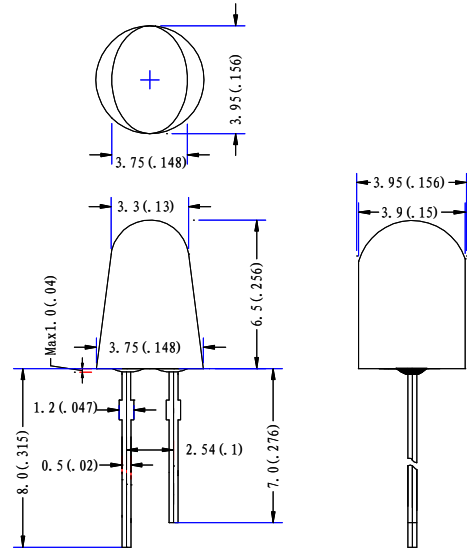
Descriptions:

- Dice material: GaP/GaAsP/InGaN/AlGaN/P.
- Device Outline: $\Phi 4 * 4$ mm ellipse packag.

Radiation pattern.



Package configuration



- ◆ All dimensions are millimeters (inches)
- ◆ Tolerance is $\pm 0.25\text{mm}(.010\text{'})$ unless otherwise noted.

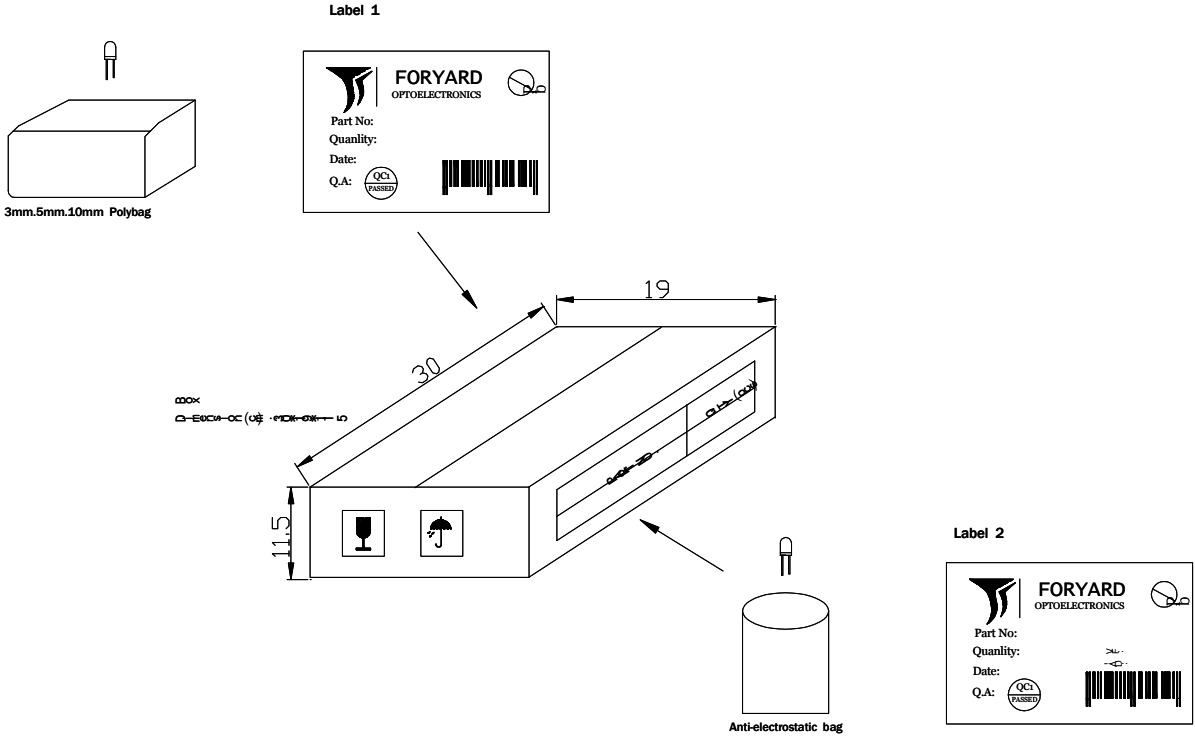
Absolute maximum ratings($T_a=25\text{ }^\circ\text{C}$)

Parameter	MAX.	Unit
Continuous Forward Current	20	mA
Derating Linear From $50\text{ }^\circ\text{C}$	0.4	mA/ $^\circ\text{C}$
Reverse Voltage	5	V
Operating Temperature Range	$-30\text{ }^\circ\text{C}$ to $+80\text{ }^\circ\text{C}$	
Storage Temperature Range	$-40\text{ }^\circ\text{C}$ to $+100\text{ }^\circ\text{C}$	
Lead Soldering Temperature[4mm(.157") From Body]	$260\text{ }^\circ\text{C}$ for 5 Seconds	

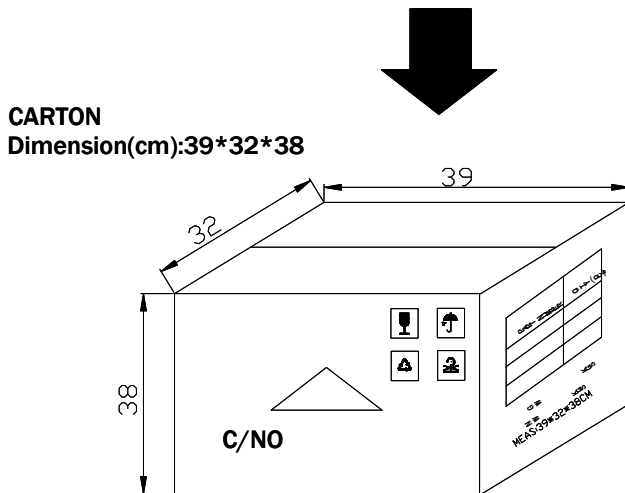
Optical Characteristics at TA = 25° C,IF=20mA.

Part Number	Lens Color	Wave length (nm)	Intensity (mcd)	Angle2 θ 1/2
FYL-4064SURD1A	Red diffused	630	1200	70/80
FYL-4064NURD1A	Red diffused	630	1500	70/80
FYL-4064SUED1A	Red diffused	625	1200	70/80
FYL-4064SUAD1A	Amber diffused	610	1000	70/80
FYL-4064NUAD1A	Amber diffused	610	1300	70/80
FYL-4064SUYD1A	Yellow diffused	588	1200	70/80
FYL-4064NUYD1A	Yellow diffused	588	1500	70/80
FYL-4064PGD1A	Green diffused	520	3000	70/80
FYL-4064UBD1A	Blue diffused	470	1500	70/80
FYL-4064UWC1A	Water clear	X:0.29 Y:0.30 CCT:9500K	4000	70/80

LAMP PACKING.



DEVICE	QTY/polybag(pcs)	Polybag/box A	Fig
5mm(T-1 3/4)	1000	8 bags	Label 1
3mm(T-1)	1000	10 bags	Label 1
10mm(T-1)	250	8 bags	Label 1
Blue/Green/White	500pcs	8 bags	Label 2



6 Boxes/Carton
 5mm:48,000pcs
 3mm:60,000pcs
 10mm:12,000pcs
 Blue/Pure Green/bluish Green
 /White:24,000pcs