

FYL- 48DXXX1A

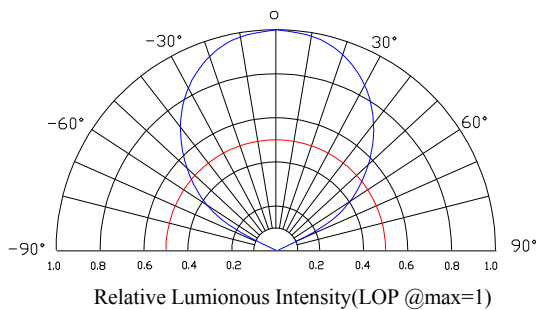
Features:

- General purpose leads
- RoHs compliant.

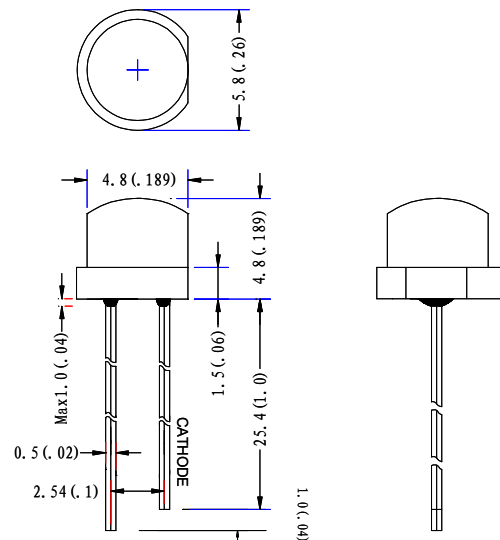
Descriptions:

- Dice material: GaP/GaAsP/InGaN/AlGaInP.
- Device Outline: $\Phi 4.8\text{mm}$ Straw hat.

Radiation pattern.



Package configuration



- ◆ All dimensions are millimeters (inches)
- ◆ Tolerance is $\pm 0.25\text{mm}$ (.010") unless otherwise noted.

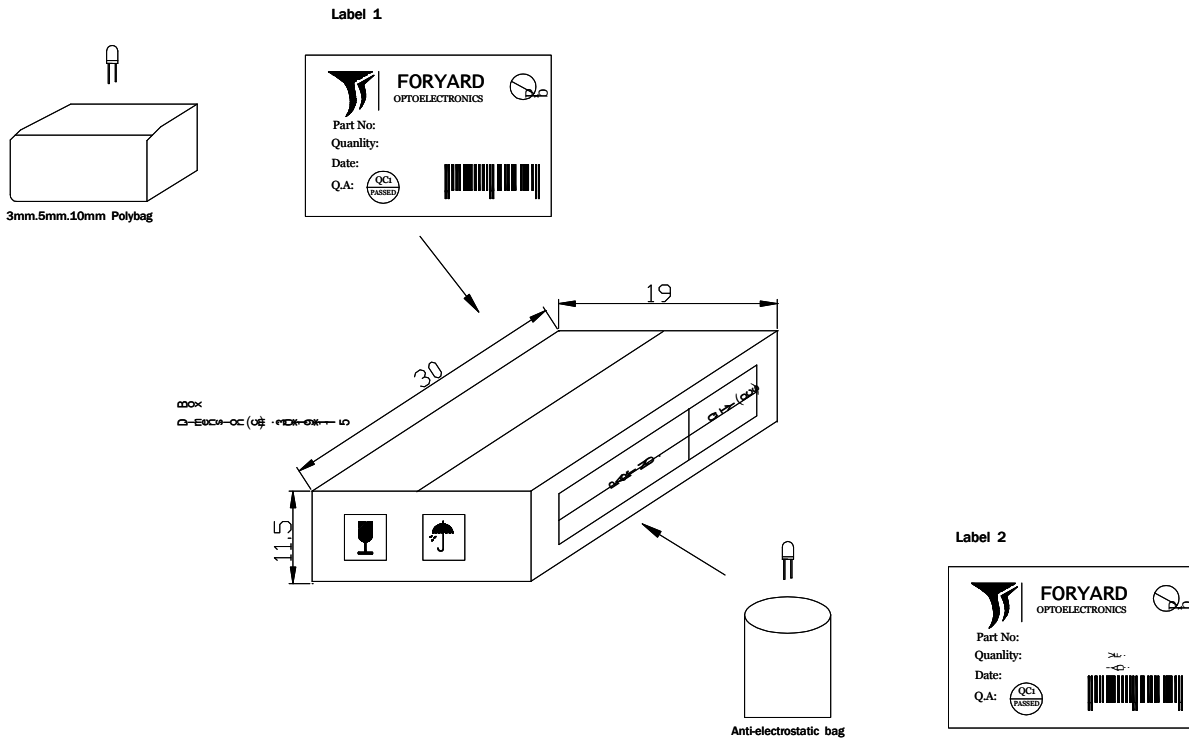
Absolute maximum ratings($T_a=25^\circ\text{C}$)

Parameter	MAX.	Unit
Continuous Forward Current	20	mA
Derating Linear From 50°C	0.4	mA/ $^\circ\text{C}$
Reverse Voltage	5	V
Operating Temperature Range	-30°C to $+80^\circ\text{C}$	
Storage Temperature Range	-40°C to $+100^\circ\text{C}$	
Lead Soldering Temperature[4mm(.157") From Body]	260 $^\circ\text{C}$ for 5 Seconds	

Optical Characteristics at TA = 25° C

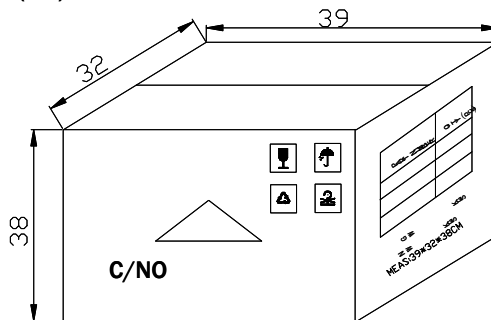
Part Number	Lens Color	Wavelength (nm)	Intensity (mcd)	Angle 2 θ 1/2
FYL-48D3SURC1A	Water Clear	630	350	110
FYL-48D3NURC1A	Water Clear	630	400	110
FYL-48D3LURC1A	Water Clear	630	600	120
FYL-48D3SUEC1A	Water Clear	625	400	110
FYL-48D3SUAC1A	Water Clear	610	350	110
FYL-48D3NUYC1A	Water Clear	588	380	110
FYL-48D3LUYC1A	Water Clear	588	600	140
FYL-48D3SUGC1A	Water Clear	568	230	110
FYL-48D3PGC1A	Water Clear	520	1800	110
FYL-48D3BGC1A	Water Clear	505	1800	110
FYL-48D3UBC1A	Water Clear	470	650	110
FYL-48D3VC1A	Water Clear	410	90(mW)	110
FYL-48D4UWC1A-UWW	Water Clear	X:0.40 Y:0.39 / 3500k	1500	120
FYL-48D4UWC1A	Water Clear	X:0.29 Y:0.30 / 9500k	1500	120
FYL-48D4UWC1A-ULW	Water Clear	X:0.25 Y:0.26 / 15000k	1500	120

LAMP PACKING.



DEVICE	QTY/polybag(pcs)	Polybag/box A	Fig
5mm(T-1 3/4)	1000	8 bags	Label 1
3mm(T-1)	1000	10 bags	Label 1
10mm(T-1)	250	8 bags	Label 1
Blue/Green/White	500pcs	8 bags	Label 2

CARTON
Dimension(cm):39*32*38



6 Boxes/Carton
 5mm:48,000pcs
 3mm:60,000pcs
 10mm:12,000pcs
 Blue/Pure Green/bluish Green
 /White:24,000pcs