

## FYL- 5002XXX1F

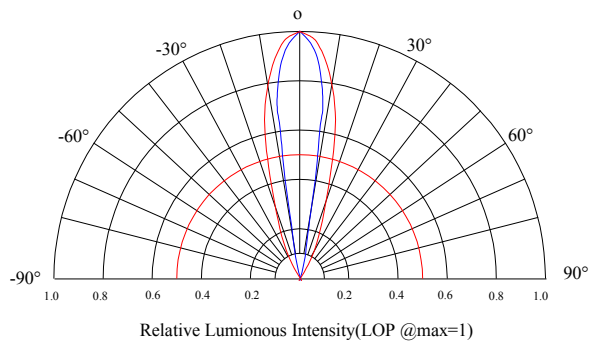
### Features:

- General purpose leads
- RoHs compliant.

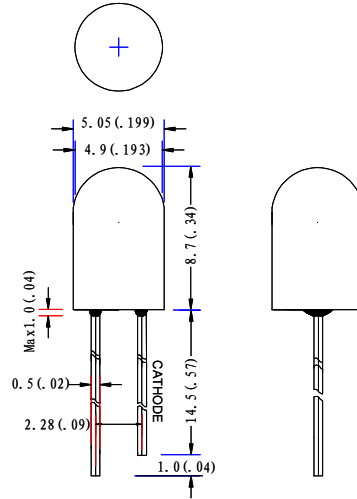
### Descriptions:

- Dice material: GaP/GaAsP/InGaN/AlGaN/AlGaInP.
- Device Outline:  $\Phi 5\text{mm}$  Round Without edge Type.

### Radiation pattern.



### Package configuration



- ◆ All dimensions are millimeters (inches)
- ◆ Tolerance is  $\pm 0.25\text{mm}(.010")$  unless otherwise noted.

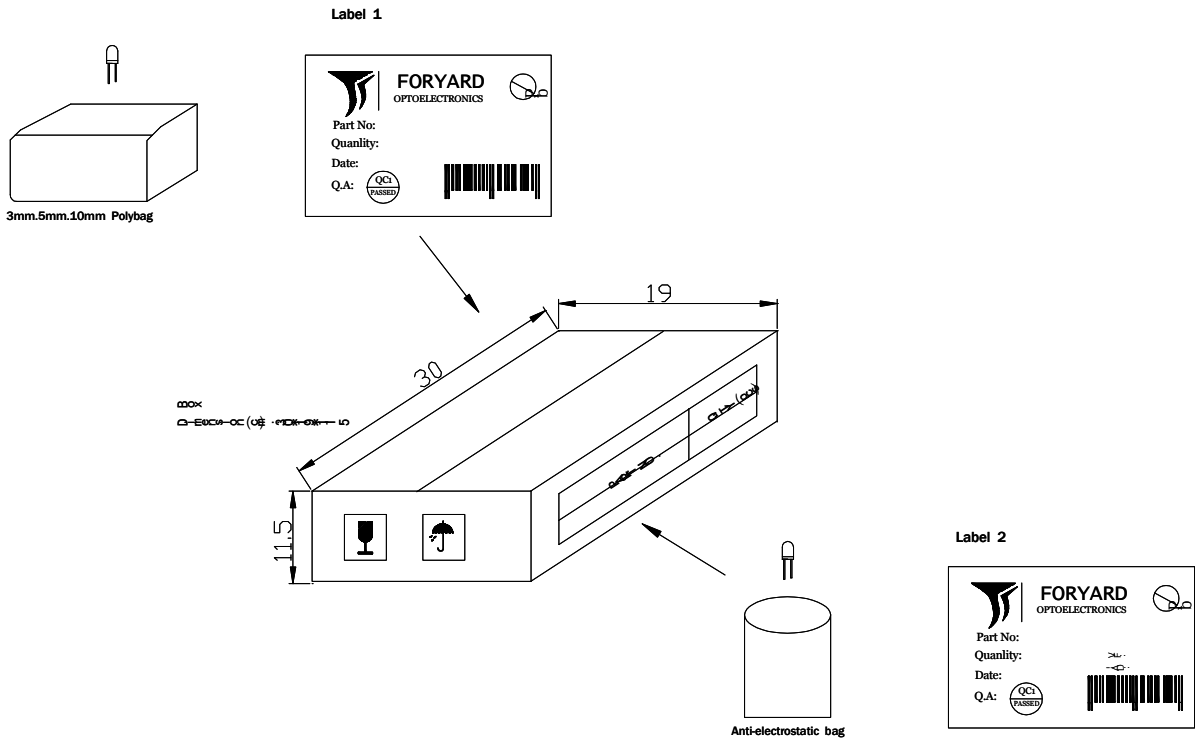
### Absolute maximum ratings( $T_a=25^\circ\text{C}$ )

Parameter	MAX.	Unit
Continuous Forward Current	20	mA
Derating Linear From $50^\circ\text{C}$	0.4	mA/ $^\circ\text{C}$
Reverse Voltage	5	V
Operating Temperature Range	$-30^\circ\text{C}$ to $+80^\circ\text{C}$	
Storage Temperature Range	$-40^\circ\text{C}$ to $+100^\circ\text{C}$	
Lead Soldering Temperature[4mm(.157") From Body]	260 $^\circ\text{C}$ for 5 Seconds	

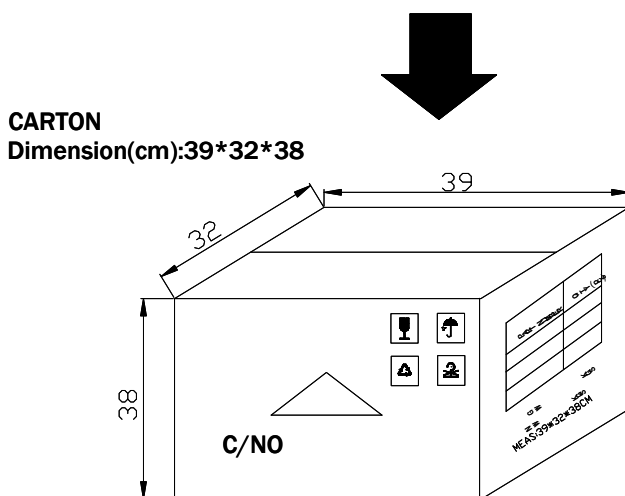
**Optical Characteristics at TA = 25° C,IF=20mA.**

Part Number	Lens Color	Wavelength (nm)	Intensity (mcd)	Angle $2\theta$ 1/2
FYL-5002HD1F	Red diffused	700	25	35
FYL-5002SRW1F	White diffused	660	150	35
FYL-5002ED1F	Red diffused	625	40	35
FYL-5002YD1F	Yellow diffused	588	50	35
FYL-5002GD1F	Green diffused	568	40	35
FYL- 5002LRD1F	Red diffused	660	280	35
FYL- 5002SURC1F	Water clear	630	1300	18
FYL- 5002NURC1F	Water clear	630	2000	18
FYL-5002SUEC1F	Water clear	625	1300	18
FYL- 5002SUYC1F	Water clear	588	1500	18
FYL- 5002NUYC1F	Water clear	588	1800	18
FYL-5002SUGC1F	Water clear	568	1100	18
FYL-5002PGC1F	Water clear	520	15000	18
FYL-5002BGC1F	Water clear	505	14000	18
FYL-5002UBC1F	Water clear	470	6000	18
FYL-5002VC1F	Water clear	410	90 (mW)	18

# LAMP PACKING.



DEVICE	QTY/polybag(pcs)	Polybag/box A	Fig
5mm(T-1 3/4)	1000	8 bags	Label 1
3mm(T-1)	1000	10 bags	Label 1
10mm(T-1)	250	8 bags	Label 1
Blue/Green/White	500pcs	8 bags	Label 2



6 Boxes/Carton  
 5mm:48,000pcs  
 3mm:60,000pcs  
 10mm:12,000pcs  
 Blue/Pure Green/bluish Green  
 /White:24,000pcs