

FYL- 5003XXX1D

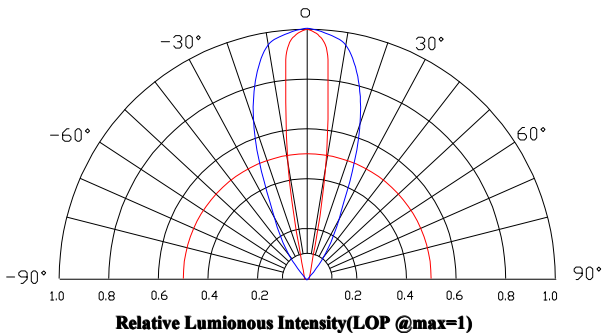
Features:

- General purpose leads
- RoHs compliant.

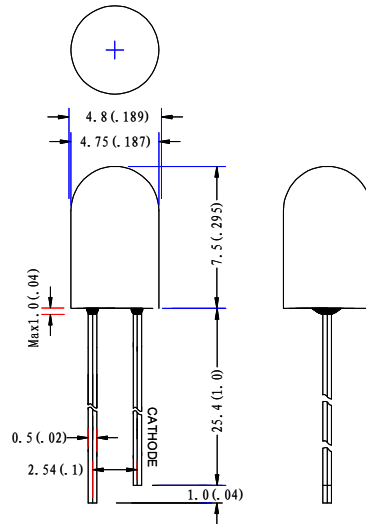
Descriptions:

- Dice material: GaP/GaAsP/InGaN/AlGaInP.
- Device Outline: $\Phi 5\text{mm}$ Round Without edge Type.

Radiation pattern.



Package configuration



- ◆ All dimensions are millimeters (inches)
- ◆ Tolerance is $\pm 0.25\text{mm}$ (.010") unless otherwise noted.

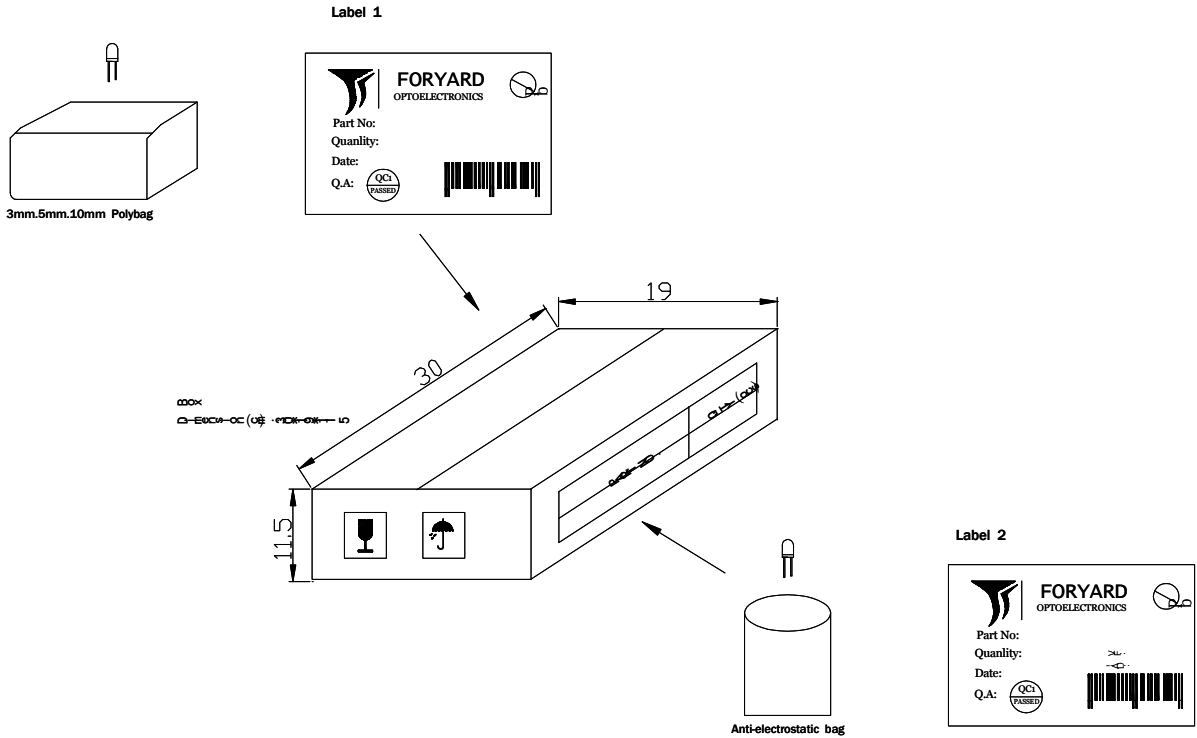
Absolute maximum ratings($T_a=25^\circ\text{C}$)

Parameter	MAX.	Unit
Continuous Forward Current	20	mA
Derating Linear From 50°C	0.4	mA/ $^\circ\text{C}$
Reverse Voltage	5	V
Operating Temperature Range	-30°C to $+80^\circ\text{C}$	
Storage Temperature Range	-40°C to $+100^\circ\text{C}$	
Lead Soldering Temperature[4mm(.157") From Body]	260 $^\circ\text{C}$ for 5 Seconds	

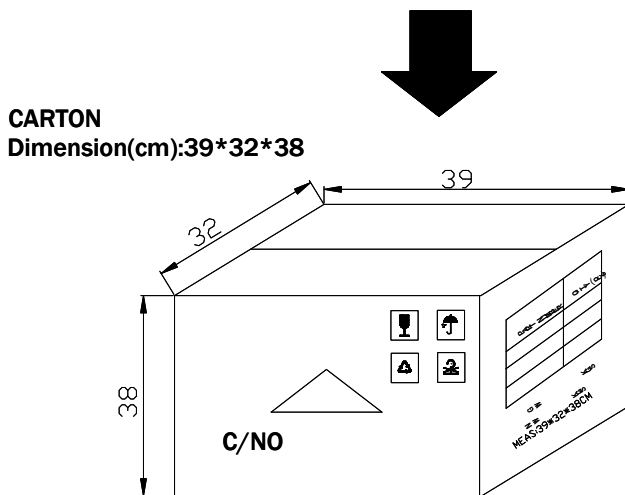
Optical Characteristics at TA = 25° C,IF=20mA.

Part Number	Lens Color	Wavelength (nm)	Intensity (mcd)	Angle 2θ 1/2
FYL-5003HD1D	Red diffused	700	30	45
FYL-5003SRD1D	Red diffused	660	120	45
FYL-5003ED1D	Red diffused	625	50	45
FYL-5003YD1D	Yellow diffused	588	50	45
FYL-5003GD1D	Green diffused	568	60	45
FYL-5003LRW1D	White diffused	660	200	45
FYL-5003SURC1D	Water clear	630	2000	20
FYL-5003NURC1D	Water clear	630	3000	20
FYL-5003LURC1D	Water clear	630	4000	20
FYL-5003SUEC1D	Water clear	625	2000	20
FYL-5003SUAC1D	Water clear	610	2200	20
FYL-5003SUYC1D	Water clear	588	2100	20
FYL-5003SUGC1D	Water clear	568	1800	20
FYL-5003PGC1D	Water clear	520	15000	18
FYL-5003BGC1D	Water clear	505	15000	18
FYL-5003UBC1D	Water clear	470	4000	18
FYL-5004UWC1D	Water clear	X:0.29 Y:0.30 CCT:9500k	15000	20

LAMP PACKING.



DEVICE	QTY/polybag(pcs)	Polybag/box A	Fig
5mm(T-1 3/4)	1000	8 bags	Label 1
3mm(T-1)	1000	10 bags	Label 1
10mm(T-1)	250	8 bags	Label 1
Blue/Green/White	500pcs	8 bags	Label 2



6 Boxes/Carton
 5mm:48,000pcs
 3mm:60,000pcs
 10mm:12,000pcs
 Blue/Pure Green/bluish Green
 /White:24,000pcs