

FYL- 5012XXX1C

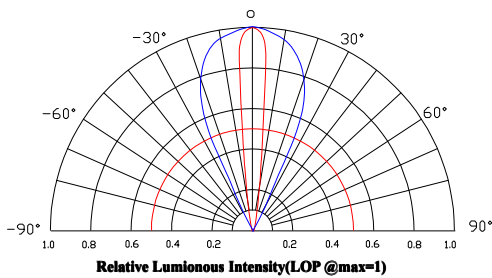
Features:

- General purpose leads
- RoHs compliant.

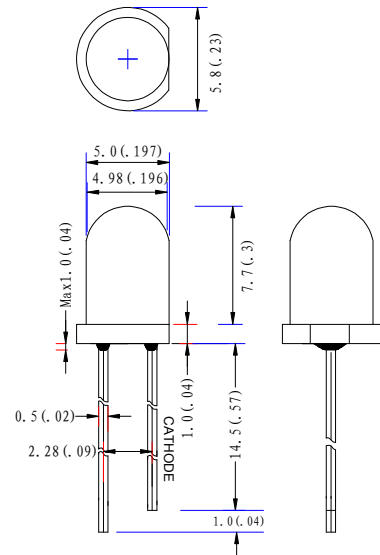
Descriptions:

- Dice material: GaP/GaAsP/InGaN/AlGaInP.
- Device Outline: $\Phi 5\text{mm}$ Round Type.

Radiation pattern.



Package configuration



- ◆ All dimensions are millimeters (inches)
- ◆ Tolerance is $\pm 0.25\text{mm}$ (.010") unless otherwise noted.

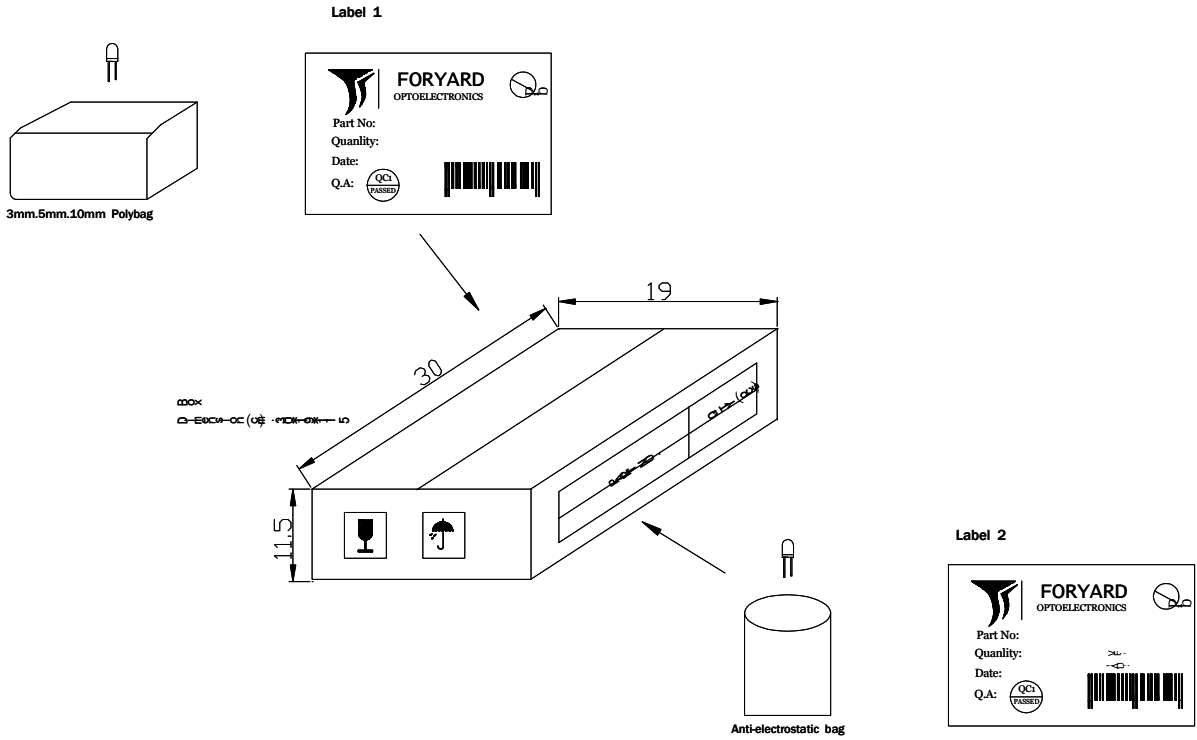
Absolute maximum ratings ($T_a = 25^\circ\text{C}$)

Parameter	MAX.	Unit
Continuous Forward Current	20	mA
Derating Linear From 50°C	0.4	mA/ $^\circ\text{C}$
Reverse Voltage	5	V
Operating Temperature Range	-30°C to $+80^\circ\text{C}$	
Storage Temperature Range	-40°C to $+100^\circ\text{C}$	
Lead Soldering Temperature [4mm (.157") From Body]	260°C for 5 Seconds	

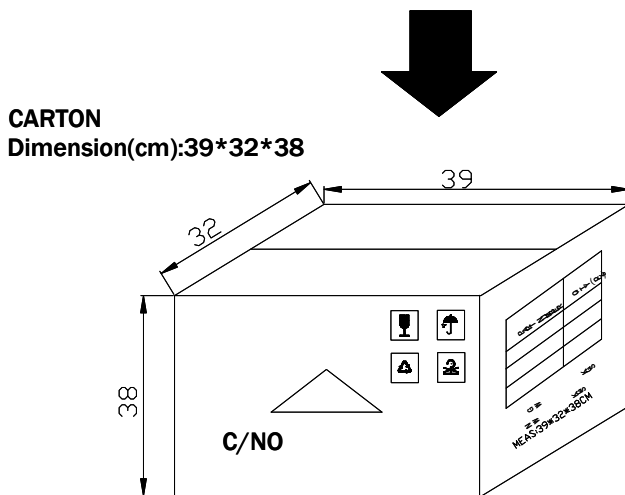
Optical Characteristics at TA = 25° C, IF=20mA.

Part Number	Lens Color	Wavelength (nm)	Intensity (mcd)	Angle 2θ 1/2
FYL-5012HD1C	Red diffused	700	15	50
FYL-5012SRD1C	Red diffused	660	45	50
FYL-5012ED1C	Red diffused	625	40	50
FYL-5012AD1C	Amber diffused	610	40	50
FYL-5012YD1C	Yellow diffused	588	40	50
FYL-5012GD1C	Green diffused	568	25	50
FYL-5012LRC1C	Water clear	660	500	15
FYL-5012HRC1C	Water clear	640	1500	15
FYL-5012SURC1C	Water clear	630	3000	15
FYL-5012NURC1C	Water clear	630	4000	15
FYL-5012LURC1C	Water clear	630	5000	15
FYL-5012SUEC1C	Water clear	625	3000	15
FYL-5012SUAC1C	Water clear	610	1800	15
FYL-5012SUYC1C	Water clear	588	2000	15
FYL-5012UGC1C	Water clear	568	700	15
FYL-5012PGC1C	Water clear	520	12000	15
FYL-5012BGC1C	Water clear	505	12000	15
FYL-5012UBC1C	Water clear	470	3000	15

LAMP PACKING.



DEVICE	QTY/polybag(pcs)	Polybag/box A	Fig
5mm(T-1 3/4)	1000	8 bags	Label 1
3mm(T-1)	1000	10 bags	Label 1
10mm(T-1)	250	8 bags	Label 1
Blue/Green/White	500pcs	8 bags	Label 2



6 Boxes/Carton
5mm:48,000pcs
3mm:60,000pcs
10mm:12,000pcs
Blue/Pure Green/bluish Green
/White:24,000pcs