

PRODUCT SPECIFICATION

Model No.: FYL-5013IRBT1C

| Descriptions: |
|---|
| <ul style="list-style-type: none"> ■ Dice material: AlGaAs. ■ Emitting Color: Infrared. ■ Device Outline: Φ5mm round type. ■ Lens Type: Blue transparent. |



| CUSTOMER APPROVED SIGNATURES | APPROVED BY | CHECKED BY | PREPARED BY |
|------------------------------|-------------|------------|-------------|
| | | | |

NINGBO FORYARD OPTOELECTRONICS CO.,LTD.

Add:No. 666 Jinghua Road, Hi-tech Park, Ningbo, Zhejiang, China

Zip:315103

Tel: 0086-574-87933652 87922206 87927870

Fax: 0086-574-87927917

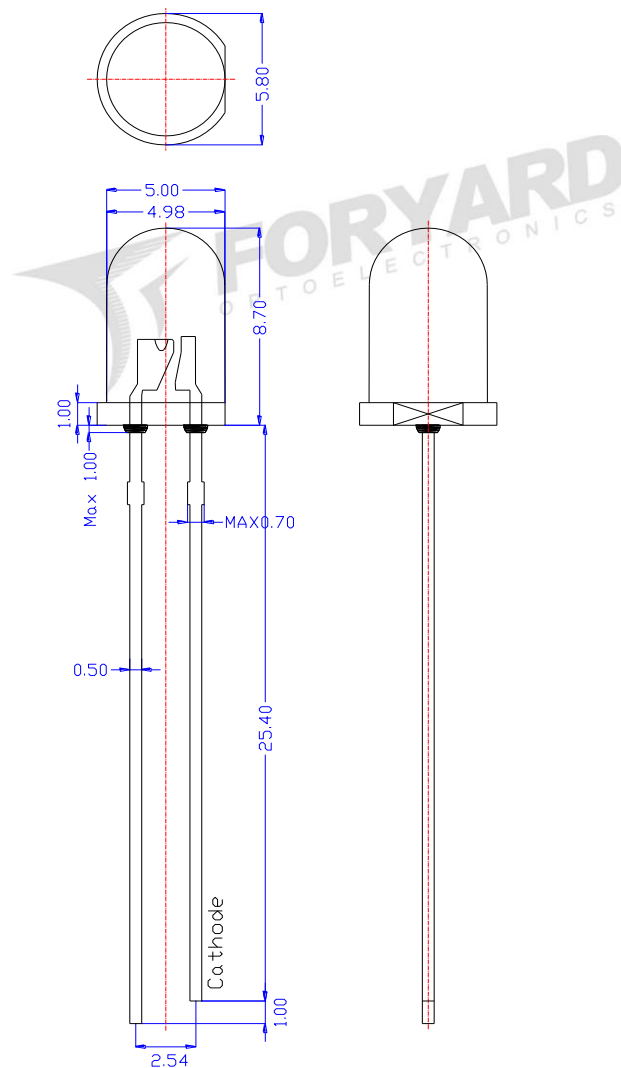
E-mail:Sales@foryard.com (General)

Model No.: FYL-5013IRBT1C

■ Features

- 1.Low power consumption.
- 2.High efficiency.
- 3.General purpose leads.
- 4.High intensity.
- 5.RoHs compliant.

■ Package configuration



Notes:

1. All dimensions are millimeters (inches)
2. Tolerance is $\pm 0.25\text{mm}(.010\text{'})$ unless otherwise noted.
3. The specifications, characteristics and technical data described in the datasheet are subject to change without prior notice.
- 4.The drawing is different from the actual one, please refer to the sample.

Model No.: FYL-5013IRBT1C

■ Absolute Maximum Ratings(Ta=25°C)

| Parameter | Symbol | MAX. | Test Condition | Unit |
|---|---------------------|------|------------------|------|
| Power Dissipation | Pd | 100 | --- | mW |
| Peak Forward Current (1/10 Duty Cycle, 0.1ms Pulse Width) | IFM | 600 | Duty=0.01ms 1khz | mA |
| Reverse Voltage | VR | 9 | IR=10UA | V |
| Operating Temperature Range | -40°C to +85°C | | | |
| Storage Temperature Range | -40°C to +100°C | | | |
| Lead Soldering Temperature[4mm(.157") From Body] | 260°C for 5 Seconds | | | |

■ Typical Electrical & Optical Characteristics(Ta=25°C)

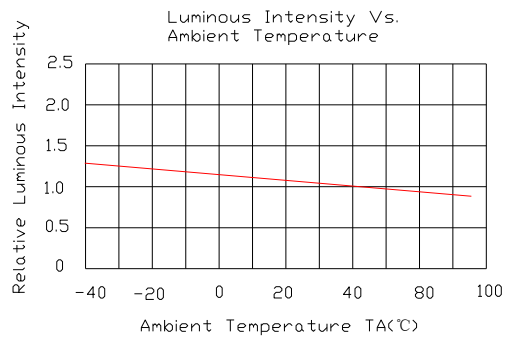
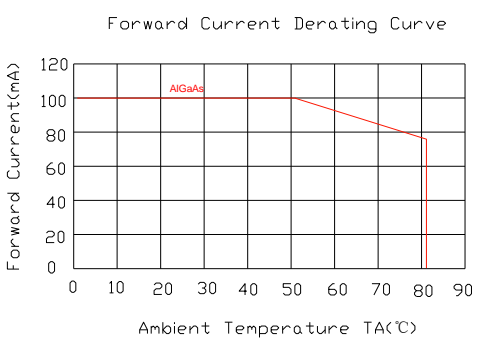
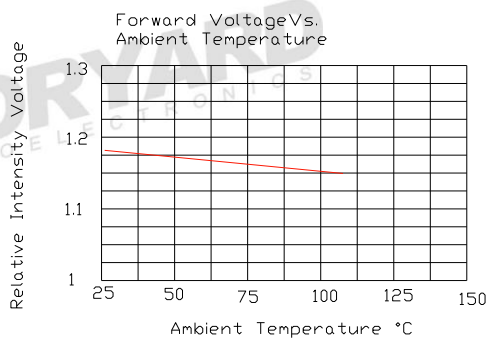
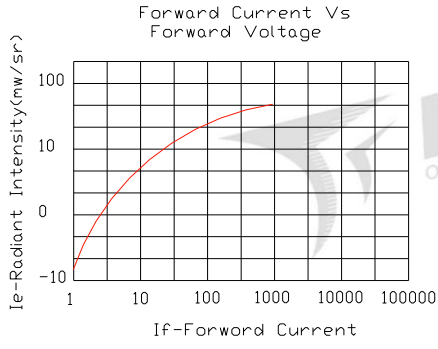
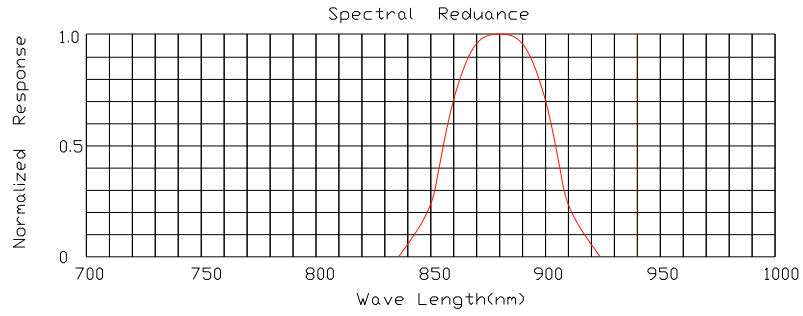
| Parameter | Symbol | Min. | Typ. | Max. | Unit | Test Condition |
|--------------------------|-------------------|------|------|------|-------|----------------|
| Radiant Intensity | Ee | 45 | 70 | --- | mW/sr | IF=50mA |
| Viewing Angle | 2θ _{1/2} | --- | 20 | --- | Deg | |
| Peak Emission Wavelength | λp | --- | 880 | --- | nm | |
| Spectral Line Half-Width | Δλ | 40 | 45 | 50 | nm | |
| Forward Voltage | V _F | --- | 1.5 | 1.7 | V | VR=5V |
| Reverse Current | I _R | --- | --- | 10 | μA | |

Note:

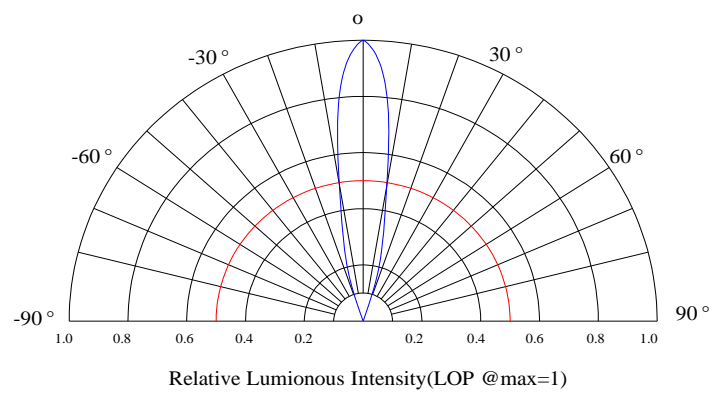
- 1.Luminous Intensity is based on the Foryard standards.
- 2.Pay attention about static for InGaN

Model No.: FYL-5013IRBT1C

Typical Electrical/Optical Characteristics Curves(Ta=25°C Unless Otherwise Noted)



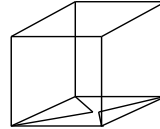
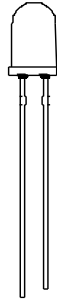
Radiation pattern



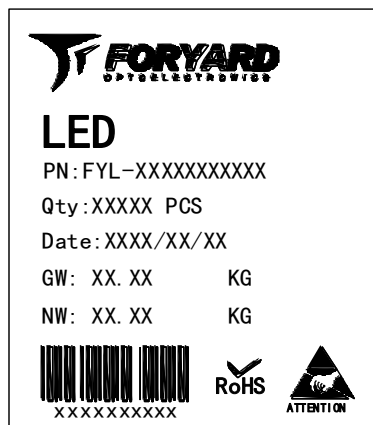
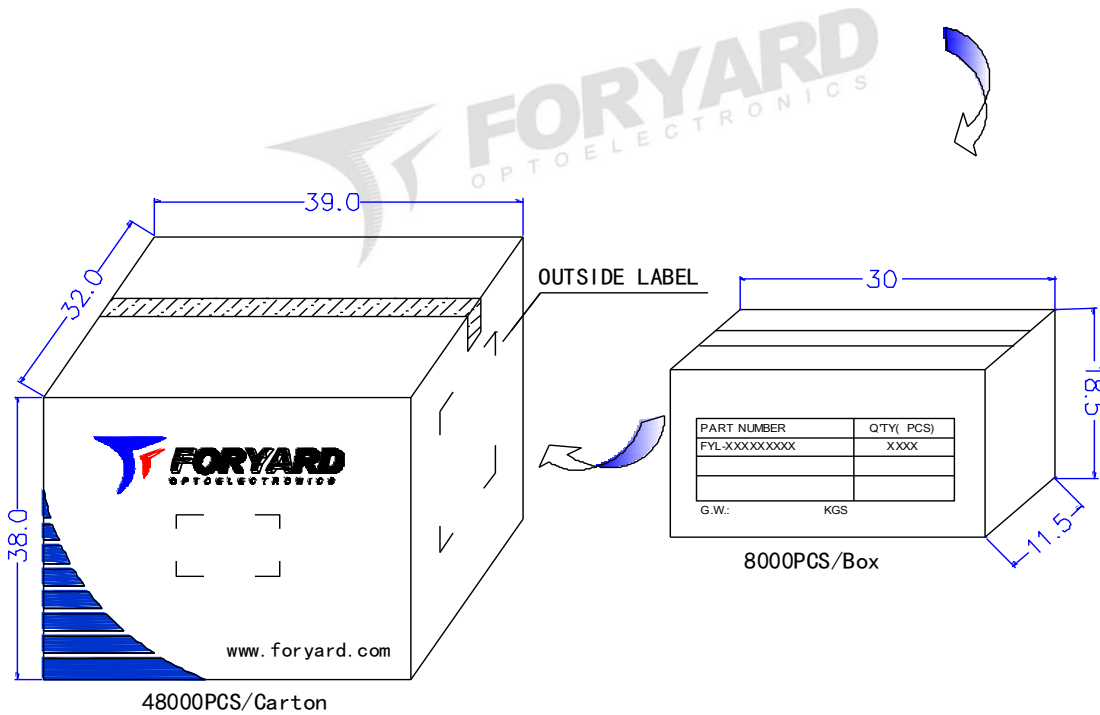
| | |
|-------------|----------------|
| Model No. | FYL-5013IRBT1C |
| Date / Rev. | 2020.05.08 / A |

Model No.: FYL-5013IRBT1C

■ LAMP PACKING.



5mm 1000PCS/Polybag



OUTSIDE LABEL

Note: The specifications are subject to change without notice. Please contact us for updated information.