

## FYL- 5014XXX1H

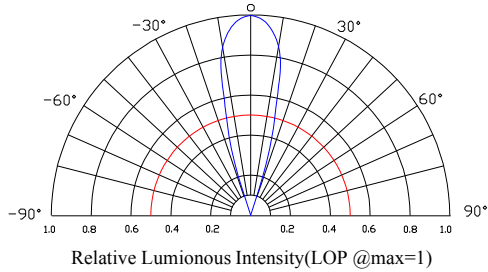
### Features:

- General purpose leads
- RoHs compliant.

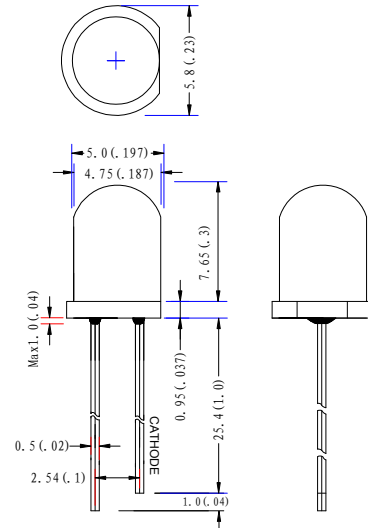
### Descriptions:

- Dice material: GaP/GaAsP/InGaN/AlGaInP.
- Device Outline:  $\Phi 5\text{mm}$  Round Type.

### Radiation pattern.



### Package configuration



- ◆ All dimensions are millimeters (inches)
- ◆ Tolerance is  $\pm 0.25\text{mm}$ (.010") unless otherwise noted.

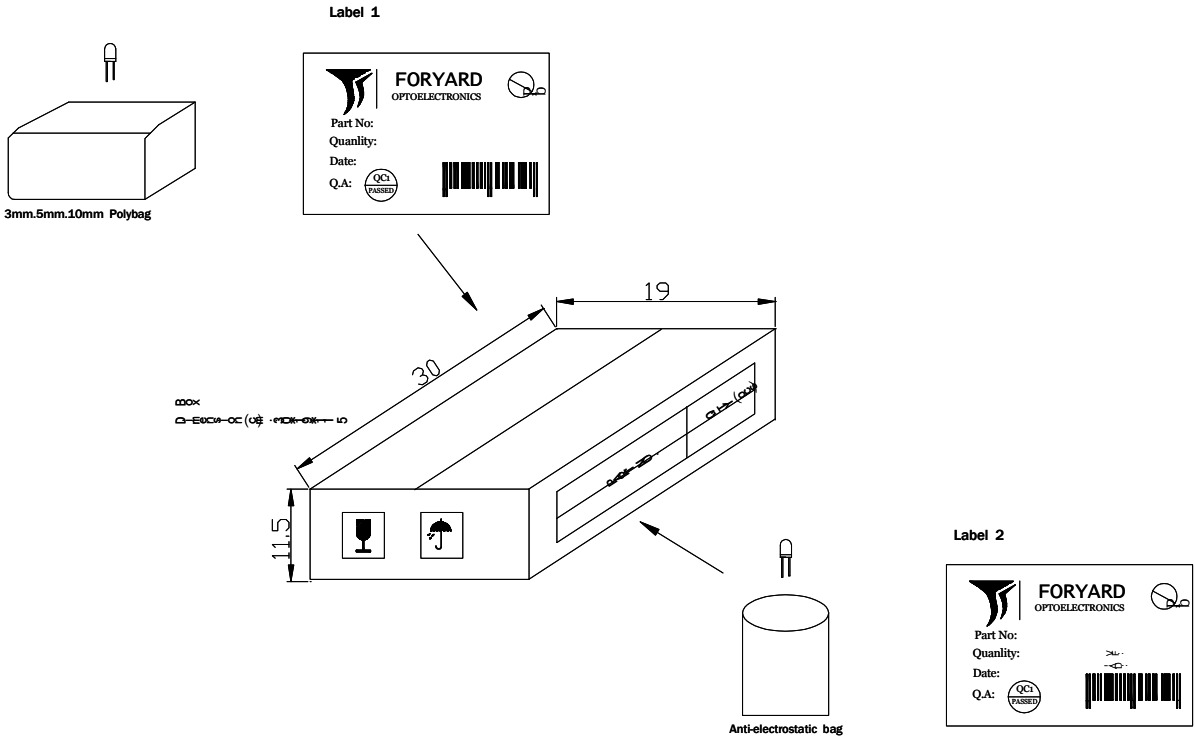
### Absolute maximum ratings( $T_a=25^\circ\text{C}$ )

Parameter	MAX.	Unit
Continuous Forward Current	20	mA
Derating Linear From $50^\circ\text{C}$	0.4	mA/ $^\circ\text{C}$
Reverse Voltage	5	V
Operating Temperature Range	$-30^\circ\text{C}$ to $+80^\circ\text{C}$	
Storage Temperature Range	$-40^\circ\text{C}$ to $+100^\circ\text{C}$	
Lead Soldering Temperature[4mm(.157") From Body]	<b><math>260^\circ\text{C}</math> for 5 Seconds</b>	

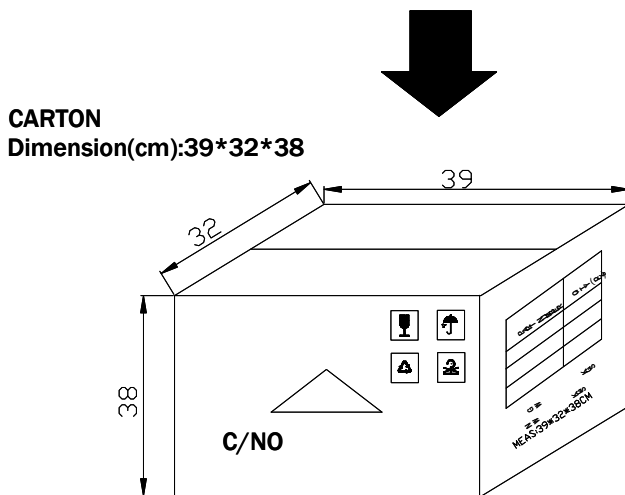
**Optical Characteristics at TA = 25° C,IF=20mA.**

Part Number	Lens Color	Wave length (nm)	Intensity (mcd)	Angle $2\theta$ 1/2
FYL-5014SURC1H	Water clear	630	1200	30
FYL-5014NURC1H	Water clear	630	1500	30
FYL-5014LURC1H	Water clear	630	3000	30
FYL-5014SUEC1H	Water clear	625	1300	30
FYL-5014SUAC1H	Water clear	610	1200	30
FYL-5014SUYC1H	Water clear	588	1300	30
FYL-5014NUYC1H	Water clear	588	1500	30
FYL-5014LUYC1H	Water clear	588	3000	30
FYL-5014MUGC1H	Water clear	568	1200	30
FYL-5014PGC1H	Water clear	520	15000	30
FYL-5014BGC1H	Water clear	505	15000	30
FYL-5014UBC1H	Water clear	470	6000	30

# LAMP PACKING.



DEVICE	QTY/polybag(pcs)	Polybag/box A	Fig
5mm(T-1 3/4)	1000	8 bags	Label 1
3mm(T-1)	1000	10 bags	Label 1
10mm(T-1)	250	8 bags	Label 1
Blue/Green/White	500pcs	8 bags	Label 2



**6 Boxes/Carton**  
**5mm:48,000pcs**  
**3mm:60,000pcs**  
**10mm:12,000pcs**  
**Blue/Pure Green/bluish Green**  
**/White:24,000pcs**