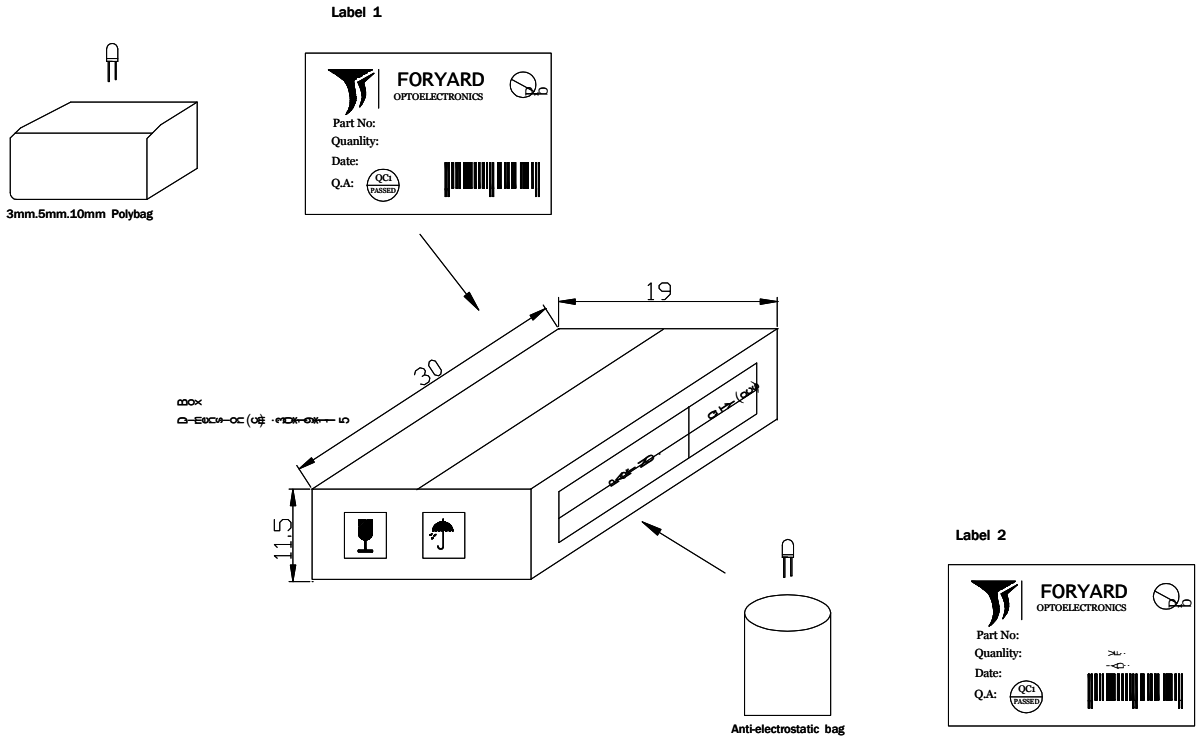


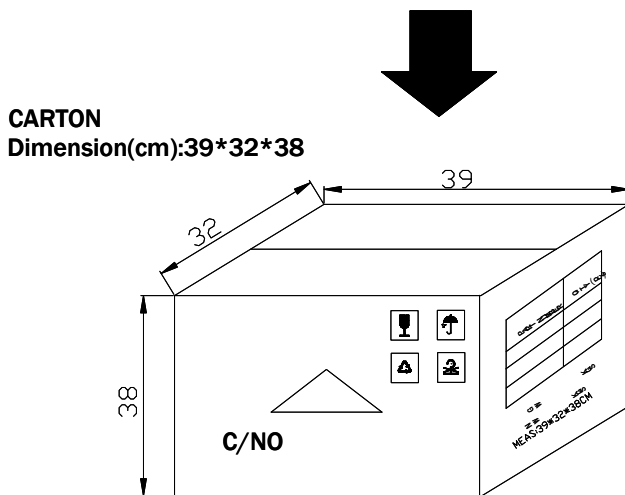
Optical Characteristics at TA = 25° C,IF=20mA.

Part Number	Lens Color	Wavelength (nm)	Intensity (mcd)	Angle 2 θ 1/2
FYL-5023HD1A	Red diffused	700	30	25
FYL-5023SRD1A	Red diffused	630	50	25
FYL-5023ET1A	Red transparent	625	80	15
FYL-5023YD1A	yellow diffused	588	45	25
FYL-5023GD1A	Green diffused	568	45	25
FYL-5023SURC1A	Water clear	630	3500	15
FYL-5023LURC1A	Water clear	630	9500	15
FYL-5023SUEC1A	Water clear	625	3500	15
FYL-5023SUAC1A	Water clear	610	3200	15
FYL-5023NUAC1A	Water clear	610	5000	15
FYL-5023SUYC1A	Water clear	588	3500	15
FYL-5023NUYC1A	Water clear	588	5000	15
FYL-5023SUGC1A	Water clear	568	2000	15
FYL-5023PGT1A	Green transparent	520	15000	15
FYL-5023BGC1A	Water clear	505	15000	15
FYL-5023UBC1A	Water clear	470	4000	15
FYL-5023VC1A	Water clear	410	90(mW)	15
FYL-5024UWC1A	Water clear	X:0.29 Y:0.30 CCT:9500K	10000	15

LAMP PACKING.



DEVICE	QTY/polybag(pcs)	Polybag/box A	Fig
5mm(T-1 3/4)	1000	8 bags	Label 1
3mm(T-1)	1000	10 bags	Label 1
10mm(T-1)	250	8 bags	Label 1
Blue/Green/White	500pcs	8 bags	Label 2



6 Boxes/Carton
5mm:48,000pcs
3mm:60,000pcs
10mm:12,000pcs
Blue/Pure Green/bluish Green
/White:24,000pcs