

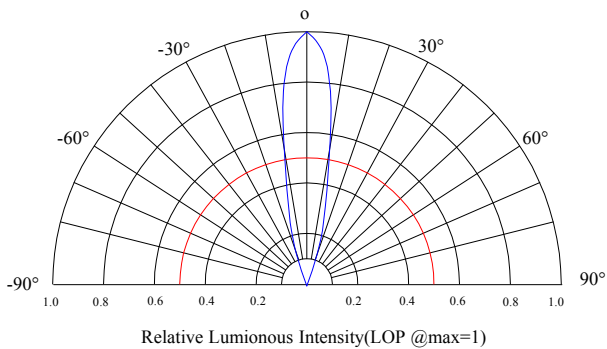
FYL- 50C3XXX1R

Features:

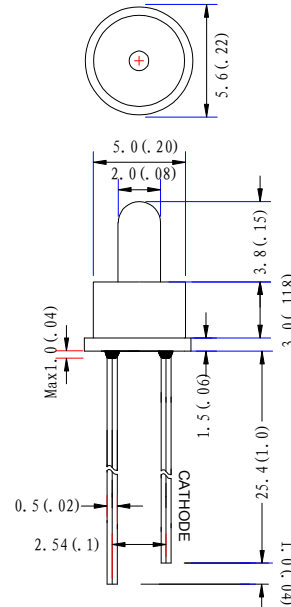
- General purpose leads
- RoHs compliant.

Descriptions:

- Dice material: GaP/GaAsP/InGaN/AlGaInP.
- Device Outline: $\Phi 5\text{mm}$ nipple Type.
- Radiation pattern.



Package configuration



- ◆ All dimensions are millimeters (inches)
- ◆ Tolerance is $\pm 0.25\text{mm}(.010\text{'})$ unless otherwise noted.

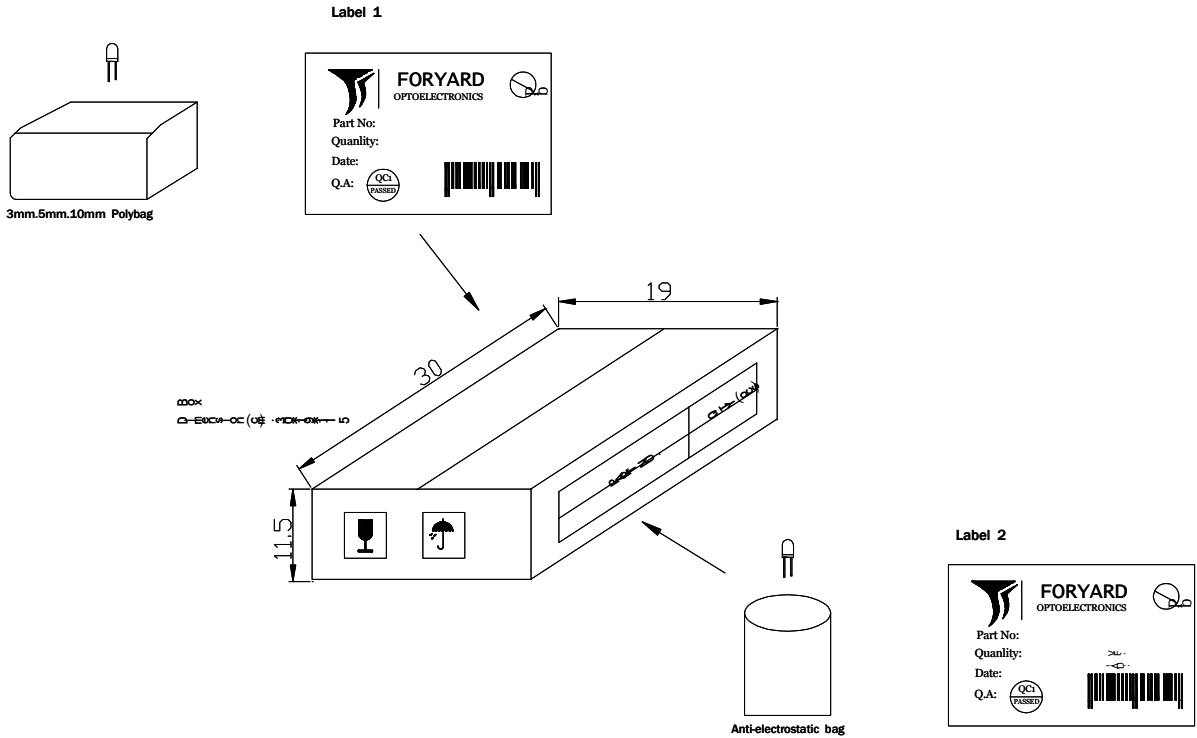
Absolute maximum ratings($T_a = 25^\circ\text{C}$)

Parameter	MAX.	Unit
Continuous Forward Current	20	mA
Derating Linear From 50°C	0.4	mA/ $^\circ\text{C}$
Reverse Voltage	5	V
Operating Temperature Range	-30°C to $+80^\circ\text{C}$	
Storage Temperature Range	-40°C to $+100^\circ\text{C}$	
Lead Soldering Temperature[4mm(.157") From Body]	260°C for 5 Seconds	

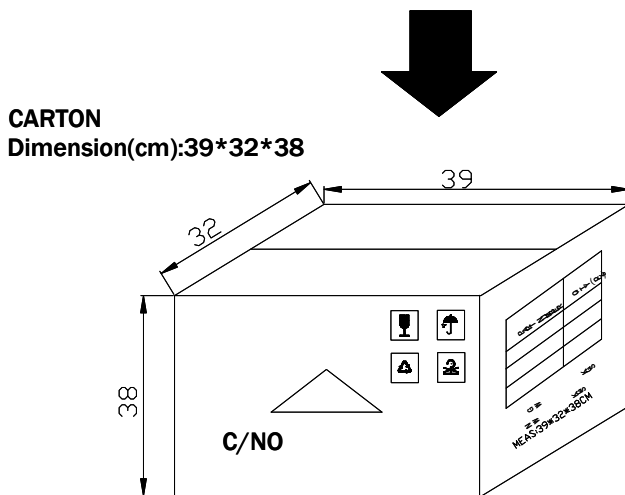
Optical Characteristics at TA = 25° C, IF=20mA.

Part Number	Lens Color	Wavelength (nm)	Intensity (mcd)	Angle 2θ 1/2
FYL-50C3HC1R	Water clear	700	30	20
FYL-50C3SRC1R	Water clear	660	110	20
FYL-50C3EC1R	Water clear	625	60	20
FYL-50C3AC1R	Water clear	610	60	20
FYL-50C3YC1R	Water clear	588	65	20
FYL-50C3GC1R	Water clear	568	50	20
FYL-50C3LRC1R	Water clear	660	350	20
FYL-50C3SURC1R	Water clear	630	900	20
FYL-50C3NURC1R	Water clear	630	1500	20
FYL-50C3LURC1R	Water clear	630	1800	20
FYL-50C3SUEC1R	Water clear	625	900	20
FYL-50C3SUAC1R	Water clear	610	800	20
FYL-50C3SUYC1R	Water clear	588	850	20
FYL-50C3SUGC1R	Water clear	568	500	20
FYL-50C3PGC1R	Water clear	520	2000	20
FYL-50C3BGC1R	Water clear	505	2000	20
FYL-50C3UBC1R	Water clear	470	1200	20

LAMP PACKING.



DEVICE	QTY/polybag(pcs)	Polybag/box A	Fig
5mm(T-1 3/4)	1000	8 bags	Label 1
3mm(T-1)	1000	10 bags	Label 1
10mm(T-1)	250	8 bags	Label 1
Blue/Green/White	500pcs	8 bags	Label 2



6 Boxes/Carton
 5mm:48,000pcs
 3mm:60,000pcs
 10mm:12,000pcs
 Blue/Pure Green/bluish Green
 /White:24,000pcs