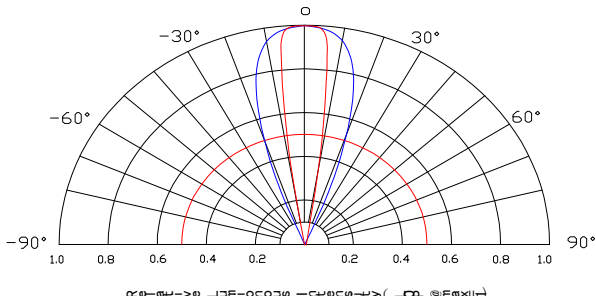


FYL-5463XXX1D

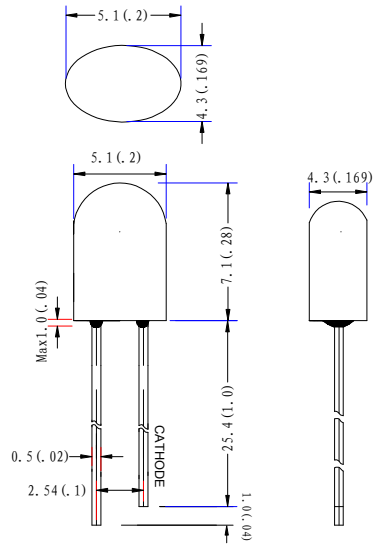
Features:

configuration

- General purpose leads
 - RoHs compliant.
- Descriptions:
- Dice material: GaP/GaAsP/InGaN/AlGaInP.
 - Device Outline: $\Phi 5 \times 4$ mm ellipse Type.
- Radiation pattern.



Package



- ◆ All dimensions are millimeters (inches)
- ◆ Tolerance is $\pm 0.25\text{mm}(.010")$ unless otherwise noted.

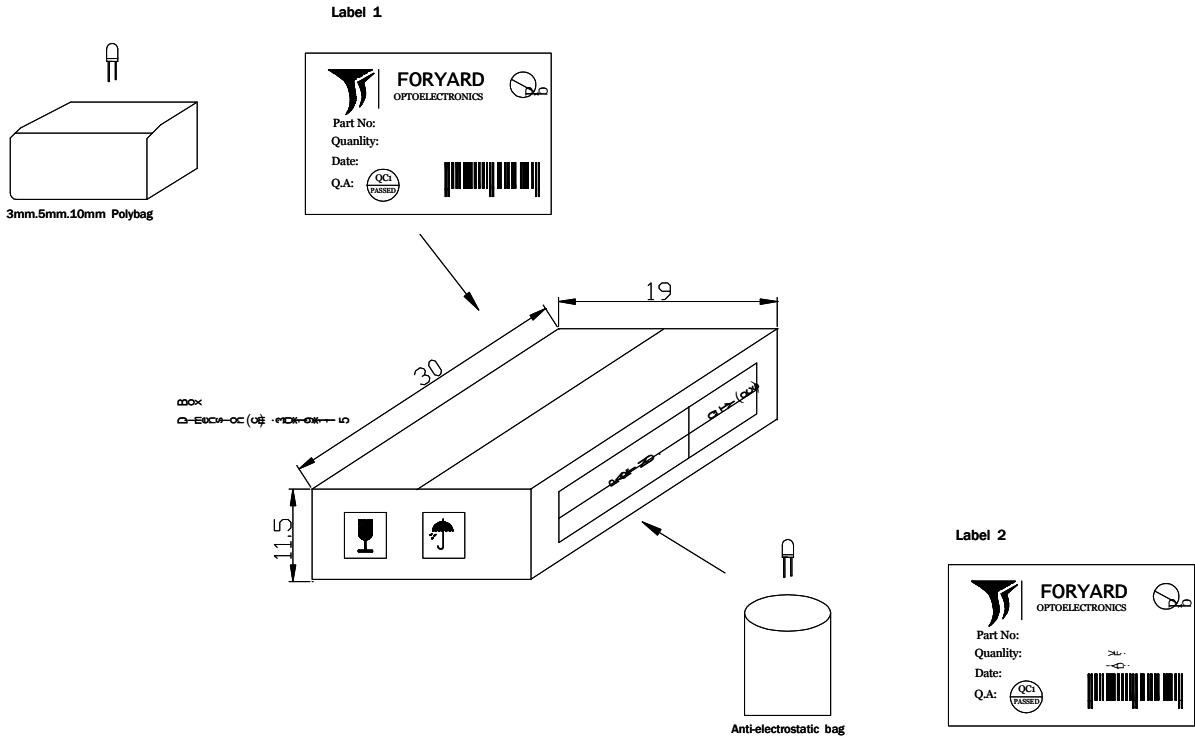
Absolute maximum ratings(Ta=25 °c)

Parameter	MAX.	Unit
Continuous Forward Current	20	mA
Derating Linear From 50°C	0.4	mA/°C
Reverse Voltage	5	V
Operating Temperature Range	-30°C to +80°C	
Storage Temperature Range	-40°C to +100°C	
Lead Soldering Temperature[4mm(.157") From Body]	260°C for 5 Seconds	

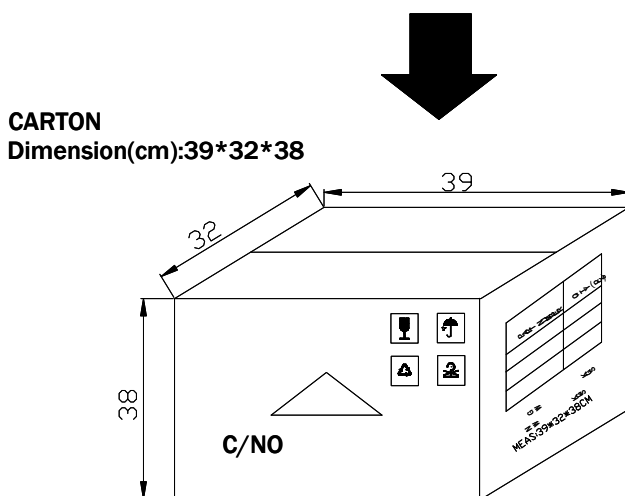
Optical Characteristics at TA = 25° C,IF=20mA.

Part Number	Lens Color	Wave length (nm)	Intensity (mcd)	Angle 2 θ 1/2
FYL-5463SURT1D	Red transparent	630	1200	50 / 30
FYL-5463SURD1D	Red diffused	630	800	60/40
FYL-5463NURC1D	Water clear	630	1300	50 / 30
FYL-5463SUED1D	Red diffused	625	450	60/40
FYL- 5463SUAC1D	Water clear	610	600	50 / 30
FYL-5463SUYC1D	Water clear	588	650	50 / 30
FYL-5463NUYD1D	Yellow diffused	588	850	75 / 40
FYL-5463PGC1D	Water clear	520	6000	55 / 35
FYL-5463PGD1D	Green diffused	520	2800	60 / 40
FYL-5463BGC1D	Water clear	505	5500	45 / 35
FYL-5463UBC1D	Water clear	470	3000	45 / 35
FYL-5464UWC1D	Water clear	X:0.29 Y:0.30 CCT:9500k	4000	50 / 30
FYL-5464UWC1D-UWW	Water clear	X:0.40 Y:0.39 CCT:3500k	4000	50 / 30

LAMP PACKING.



DEVICE	QTY/polybag(pcs)	Polybag/box A	Fig
5mm(T-1 3/4)	1000	8 bags	Label 1
3mm(T-1)	1000	10 bags	Label 1
10mm(T-1)	250	8 bags	Label 1
Blue/Green/White	500pcs	8 bags	Label 2



6 Boxes/Carton
5mm:48,000pcs
3mm:60,000pcs
10mm:12,000pcs
Blue/Pure Green/bluish Green
/White:24,000pcs