

FYL-5483XXX1A

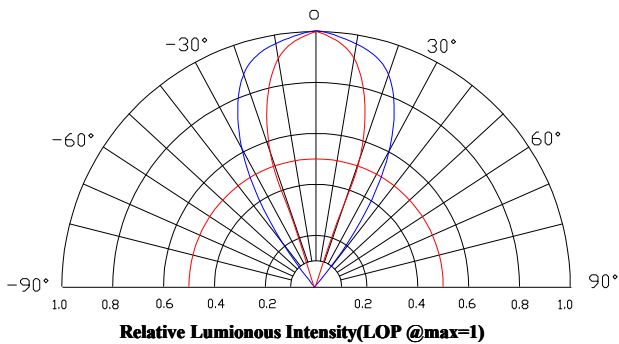
Features:

- General purpose leads
- RoHs compliant.

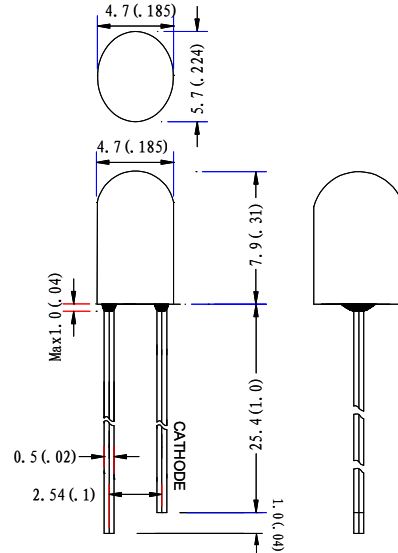
Descriptions:

- Dice material: GaP/GaAsP/InGaN/AlGaN/P.
- Device Outline: $\Phi 5 \times 6$ mm ellipse Type.

Radiation pattern.



Package configuration



- ◆ All dimensions are millimeters (inches)
- ◆ Tolerance is $\pm 0.25\text{mm}(.010\text{'})$ unless otherwise noted.

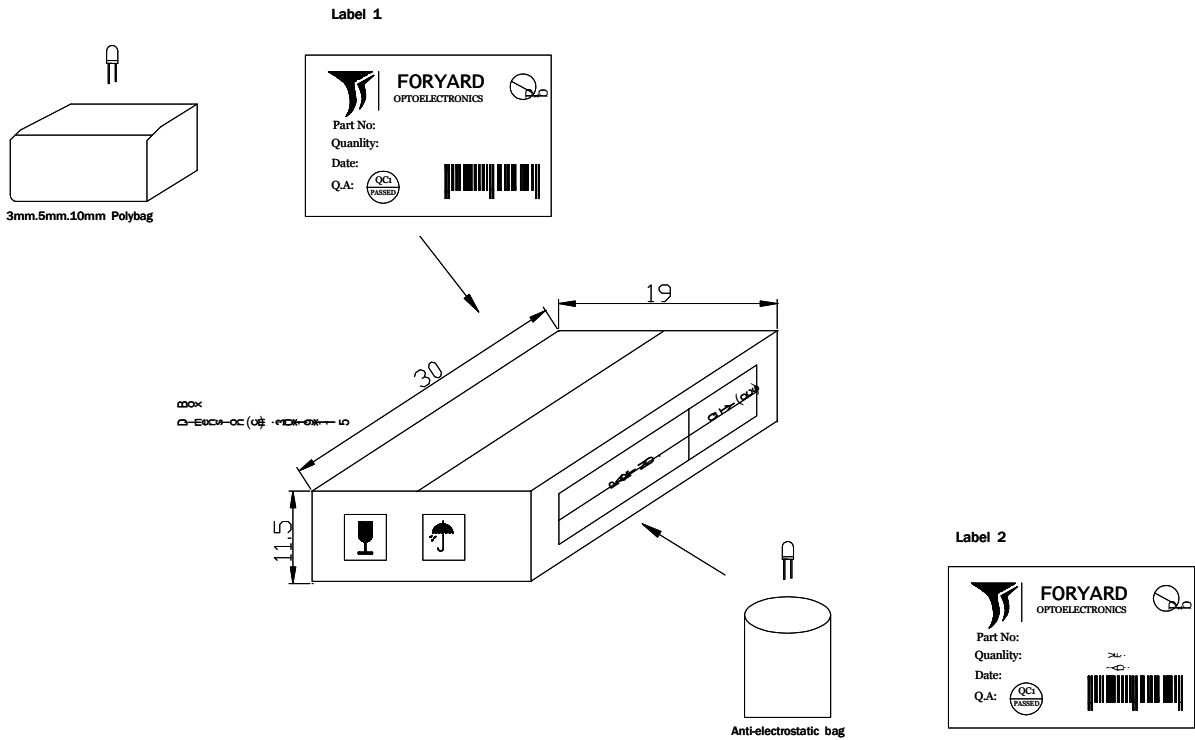
Absolute maximum ratings($T_a=25^\circ\text{C}$)

Parameter	MAX.	Unit
Continuous Forward Current	20	mA
Derating Linear From 50°C	0.4	mA/ $^\circ\text{C}$
Reverse Voltage	5	V
Operating Temperature Range	-30°C to $+80^\circ\text{C}$	
Storage Temperature Range	-40°C to $+100^\circ\text{C}$	
Lead Soldering Temperature[4mm(.157") From Body]	260°C for 5 Seconds	

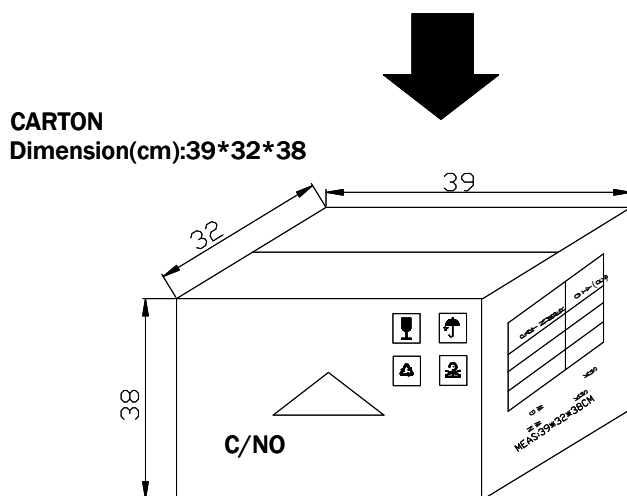
Optical Characteristics at TA = 25° C,IF=20mA.

Part Number	Lens Color	Wave length (nm)	Intensity (mcd)	Angle 2 θ 1/2
FYL-5483SURC1A	Water clear	630	1200	40 / 70
FYL-5483NURC1A	Water clear	630	1800	40 / 70
FYL-5483SUAC1A	Water clear	610	1200	40 / 70
FYL-5483SUEC1A	Water clear	625	1200	40 / 70
FYL-5483NUYC1A	Water clear	588	1600	40 / 70
FYL-5483SUGC1A	Water clear	568	800	40 / 70
FYL-5483PGT1A	Green Transparent	520	6500	40 / 70
FYL-5483UBC1A	Water clear	470	4000	40 / 70
FYL-5484UWC1A-UWW	Water clear	X:0.40 Y:0.39 CCT:3500k	4200	40 / 70
FYL-5484UWC1A	Water clear	X:0.28 Y:0.29 CCT:9000k	4200	40 / 70
FYL-5484UWC1A-ULW	Water clear	X:0.25 Y:0.26 CCT:15000k	4200	40 / 70

LAMP PACKING.



DEVICE	QTY/polybag(pcs)	Polybag/box A	Fig
5mm(T-1 3/4)	1000	8 bags	Label 1
3mm(T-1)	1000	10 bags	Label 1
10mm(T-1)	250	8 bags	Label 1
Blue/Green/White	500pcs	8 bags	Label 2



6 Boxes/Carton
5mm:48,000pcs
3mm:60,000pcs
10mm:12,000pcs
Blue/Pure Green/bluish Green
/White:24,000pcs