

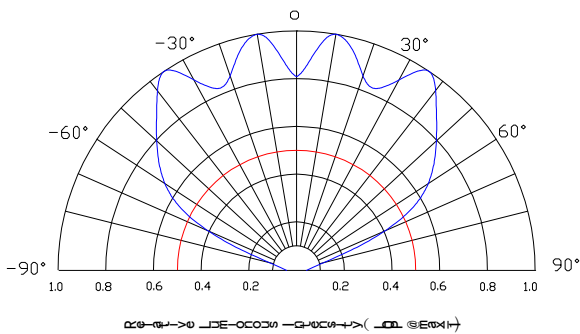
FYL- 8033XXX1A

Features:

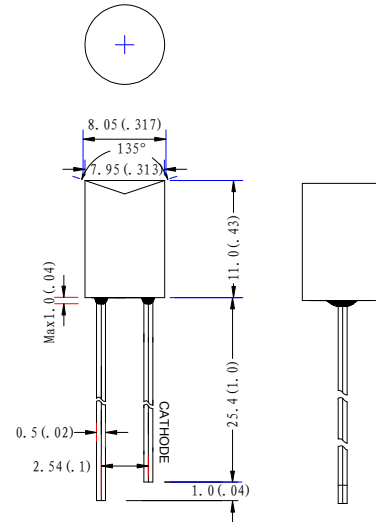
- General purpose leads
- RoHs compliant.

Descriptions:

- Dice material: GaP/GaAsP/InGaN/AlGaN/P.
- Device Outline: $\Phi 8$ mm concave Type.
- Radiation pattern.



Package configuration



- ◆ All dimensions are millimeters (inches)
- ◆ Tolerance is ± 0.25 mm(.010") unless otherwise noted.

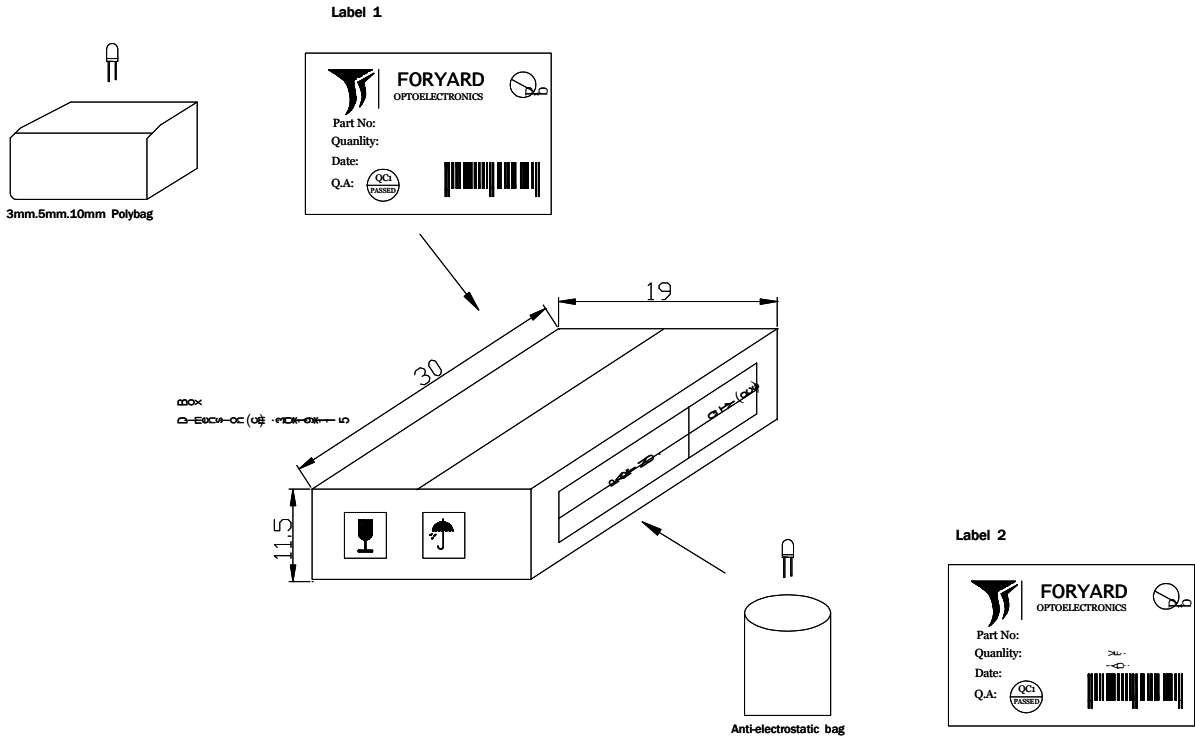
Absolute maximum ratings(Ta=25 °c)

| Parameter | MAX. | Unit |
|--|---------------------|-------|
| Continuous Forward Current | 20 | mA |
| Derating Linear From 50°C | 0.4 | mA/°C |
| Reverse Voltage | 5 | V |
| Operating Temperature Range | -30°C to +80°C | |
| Storage Temperature Range | -40°C to +100°C | |
| Lead Soldering Temperature[4mm(.157") From Body] | 260°C for 5 Seconds | |

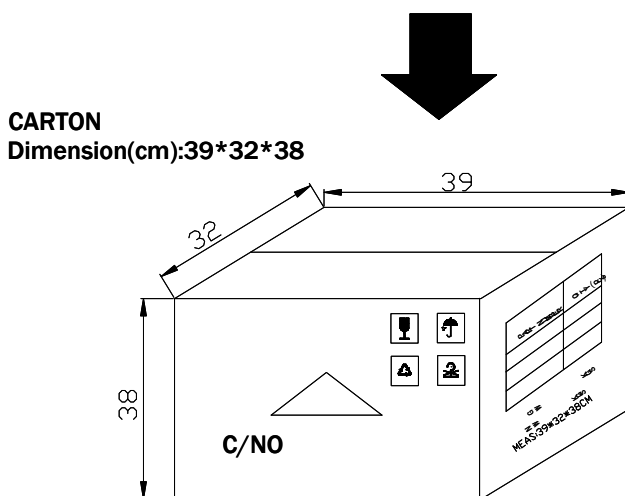
Optical Characteristics at TA = 25° C,IF=20mA.

| Part Number | Lens Color | Wavelength (nm) | Intensity (mcd) | Angle2 θ 1/2 |
|----------------|--------------|----------------------------|-----------------|------------------------|
| FYL- 8033HC1A | Water clear | 700 | 30 | 110 |
| FYL-8033SRD1A | Red diffused | 660 | 50 | 110 |
| FYL-8033EC1A | Water clear | 625 | 40 | 110 |
| FYL-8033AC1A | Water clear | 610 | 65 | 110 |
| FYL-8033YC1A | Water clear | 588 | 70 | 110 |
| FYL-8033GC1A | Water clear | 568 | 60 | 110 |
| FYL-8033SURC1A | Water clear | 630 | 600 | 110 |
| FYL-8033NURC1A | Water clear | 630 | 800 | 110 |
| FYL-8033LURC1A | Water clear | 630 | 1500 | 110 |
| FYL-8033SUEC1A | Water clear | 625 | 700 | 110 |
| FYL-8033SUAC1A | Water clear | 610 | 550 | 110 |
| FYL-8033SUYC1A | Water clear | 588 | 600 | 110 |
| FYL-8033SUGC1A | Water clear | 568 | 550 | 110 |
| FYL-8033PGC1A | Water clear | 520 | 2000 | 110 |
| FYL-8033BGC1A | Water clear | 505 | 2000 | 110 |
| FYL-8033UBC1A | Water clear | 470 | 1000 | 110 |
| FYL-8034UWC1A | Water clear | X:0.29 Y:0.30 CCT:9500K | 1200 | 110 |

LAMP PACKING.



| DEVICE | QTY/polybag(pcs) | Polybag/box A | Fig |
|------------------|------------------|---------------|---------|
| 5mm(T-1 3/4) | 1000 | 8 bags | Label 1 |
| 3mm(T-1) | 1000 | 10 bags | Label 1 |
| 10mm(T-1) | 250 | 8 bags | Label 1 |
| Blue/Green/White | 500pcs | 8 bags | Label 2 |



6 Boxes/Carton
 5mm:48,000pcs
 3mm:60,000pcs
 10mm:12,000pcs
 Blue/Pure Green/bluish Green
 /White:24,000pcs