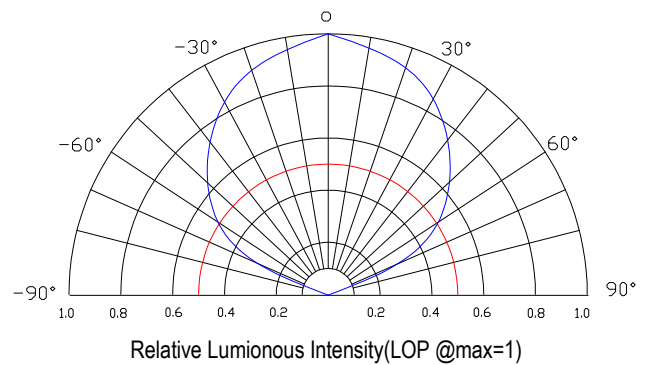


## FYLP-1W-UWB

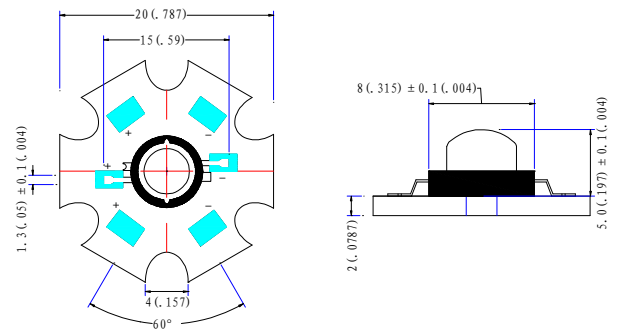
### Features:

- Long operating life
- Highest flux
- Available in White
- Lambertian radiation pattern
- More energy efficient than incandescent and most halogen lamps
- Low voltage DC operated
- Cool beam, safe to the touch
- Instant light (less than 100ns)
- Fully dimmable
- No UV
- Superior ESD protection
- Eutectic die band, lower Rth.
- ROHS compliant –Lead-free
- Instant light (less than 100ns)

### Radiation Pattern



### Package Dimensions



### Applications

- Reading lights (car, bus, aircraft)
- Portable (flashlight, bicycle)
- orientation
- Mini-accent
- Decorative
- Fiber optic alternative
- Appliance
- Sign and channel letter
- Architectural detail
- Cove lighting
- Automotive exterior ( stop-Tail-turn, CHMSL, Mirror side repeat)
- Edge-lit signs (Exit, point of sale)

■ **Typical Optical/Electrical Characteristics@T<sub>J</sub>=25°C**

Item	symbol	Condition	Min	Typ	Max	Unit
Forward Voltage	VF	IF=350mA	3.0	-	3.6	V
Reverse Current	IR	VR=5V			50	uA
50% Power Angle	2θ <sub>1/2</sub>	IF=350mA	110	120	130	deg
Luminous Intensity	Φ <sub>v</sub>	IF=350mA	50	60	--	LM
Recommend Forward Current	IF			350		mA
<b>Chromaticity coordinates</b>	X	IF=350mA		0.30		
	Y			0.30		
Thermal Resistance, Junction to Case	R <sub>jp</sub>	IF=350mA		10		°C/W

- Notes: 1. Tolerance of measurement of forward voltage  $\pm 0.1$  v  
 2. Tolerance of measurement of peak Wavelength  $\pm 2.0$  nm  
 3. Tolerance of measurement of luminous intensity  $\pm 15\%$ .

■ **Absolute Maximum Rating**

Item	symbol	Absolute Maximum Rating	Unit
Forward Current	IF	350	mA
Peak Forward Current*	IFD	500	mA
Reverse Voltage	VR	5	V
Power Dissipation	PD	1000	mW
Electrostatic discharge	ESD	$\pm 4500$	V
Operation Temperature	T <sub>OPR</sub>	-30°C to +80°C	
Storage Temperature	T <sub>STG</sub>	-40°C to +100°C	
Lead Soldering Temperature*	T <sub>SOL</sub>	260°C for 3 Seconds Max	

- IFP Conditions :Pulse Width  $\leq 10$  msec duty  $\leq 1/10$
- All high Power emitter LED products mounted on aluminum metal-core printed circuit board, can be lighted directly ,but we do not recommend lighting the high power products for more than 5 seconds without a directly,but we do not recommend lighting the high powe products for more than 5 seconds without a appropriate heat dissipation equipment.
- Re-flow, wave peak and soak-stannum soldering etc. is not suitable for this products.
- Suggest to solder it by professional high power LED soldering machine.
- Can use invariable -temperature searing-iron with soldering condition:  $\leq 260$  degree less than 3 seconds.

■ Typical optical/Electrical Characteristics Curves (Tj=25°C Unless Otherwise Noted)

